

IMPORTANT:
Read Before Using

IMPORTANT :
Lire avant usage

IMPORTANTE:
Leer antes de usar

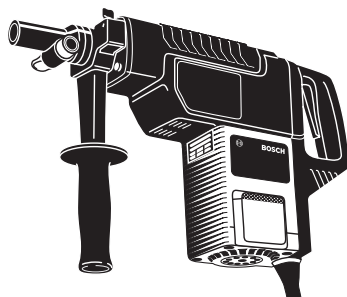
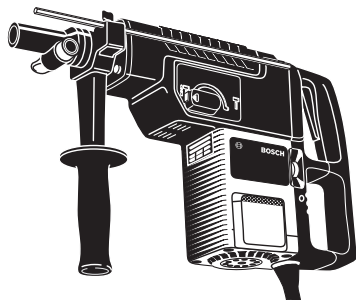


Operating/Safety Instructions
Consignes de fonctionnement/sécurité
Instrucciones de funcionamiento y seguridad

11232EVS

11233EVS

11244E



BOSCH

Consumer Information
Renseignements des consommateurs
Información para el consumidor

Toll Free Number: 1-877-BOSCH99 (1-877-267-2499) **Appel gratuit :** **Número de teléfono gratuito:** <http://www.boschtools.com>

For English
See page 2

Parlez-vous français?
Voir page 10

¿Habla español?
Ver página 18

Power Tool Safety Rules

⚠ WARNING **Read and understand all instructions.** Failure to follow all instructions listed below, may result in electric shock, fire and/or serious personal injury.

SAVE THESE INSTRUCTIONS

Work Area

Keep your work area clean and well lit. Cluttered benches and dark areas invite accidents.

Do not operate power tools in explosive atmospheres, such as in the presence of flammable liquids, gases, or dust. Power tools create sparks which may ignite the dust or fumes.

Keep by-standers, children, and visitors away while operating a power tool. Distractions can cause you to lose control.

Electrical Safety

Double Insulated tools are equipped with a polarized plug (one blade is wider than the other.) This plug will fit in a polarized outlet only one way. If the plug does not fit fully in the outlet, reverse the plug. If it still does not fit, contact a qualified electrician to install a polarized outlet. Do not change the plug in any way. Double Insulation eliminates the need for the three wire grounded power cord and grounded power supply system. *Before plugging in the tool, be certain the outlet voltage supplied is within the voltage marked on the nameplate. Do not use "AC only" rated tools with a DC power supply.*

Avoid body contact with grounded surfaces such as pipes, radiators, ranges and refrigerators. There is an increased risk of electric shock if your body is grounded. If operating the power tool in damp locations is unavoidable, a Ground Fault Circuit Interrupter must be used to supply the power to your tool. Electrician's rubber gloves and footwear will further enhance your personal safety.

Don't expose power tools to rain or wet conditions. Water entering a power tool will increase the risk of electric shock.

Do not abuse the cord. Never use the cord to carry the tools or pull the plug from an outlet. Keep cord away from heat, oil, sharp edges or moving parts. Replace damaged cords immediately. Damaged cords increase the risk of electric shock.

When operating a power tool outside, use an outdoor extension cord marked "W-A"

or "W." These cords are rated for outdoor use and reduce the risk of electric shock. Refer to "Recommended sizes of Extension Cords" in the Accessory section of this manual.

Personal Safety

Stay alert, watch what you are doing and use common sense when operating a power tool. Do not use tool while tired or under the influence of drugs, alcohol, or medication. A moment of inattention while operating power tools may result in serious personal injury.

Dress properly. Do not wear loose clothing or jewelry. Contain long hair. Keep your hair, clothing, and gloves away from moving parts. Loose clothes, jewelry, or long hair can be caught in moving parts. Keep handles dry, clean and free from oil and grease.

Avoid accidental starting. Be sure switch is "OFF" before plugging in. Carrying tools with your finger on the switch or plugging in tools that have the switch "ON" invites accidents.

Remove adjusting keys or wrenches before turning the tool "ON". A wrench or a key that is left attached to a rotating part of the tool may result in personal injury.

Do not overreach. Keep proper footing and balance at all times. Proper footing and balance enables better control of the tool in unexpected situations.

Use safety equipment. Always wear eye protection. Dust mask, non-skid safety shoes, hard hat, or hearing protection must be used for appropriate conditions.

Tool Use and Care

Use clamps or other practical way to secure and support the workpiece to a stable platform. Holding the work by hand or against your body is unstable and may lead to loss of control.

Do not force tool. Use the correct tool for your application. The correct tool will do the job better and safer at the rate for which it is designed.

Do not use tool if switch does not turn it "ON" or "OFF". Any tool that cannot be controlled with the switch is dangerous and must be repaired.

Disconnect the plug from the power source before making any adjustments, changing accessories, or storing the tool. Such preventive safety measures reduce the risk of starting the tool accidentally.

Store idle tools out of reach of children and other untrained persons. Tools are dangerous in the hands of untrained users.

Maintain tools with care. Keep cutting tools sharp and clean. Properly maintained tools, with sharp cutting edges are less likely to bind and are easier to control. Any alteration or modification is a misuse and may result in a dangerous condition.

Check for misalignment or binding of moving parts, breakage of parts, and any other condition that may affect the tools operation. If damaged, have the tool serviced before using. Many accidents are

caused by poorly maintained tools. Develop a periodic maintenance schedule for your tool.

Use only accessories that are recommended by the manufacturer for your model. Accessories that may be suitable for one tool, may become hazardous when used on another tool.

Service

Tool service must be performed only by qualified repair personnel. Service or maintenance performed by unqualified personnel could result in a risk of injury. For example: internal wires may be misplaced or pinched, safety guard return springs may be improperly mounted.

When servicing a tool, use only identical replacement parts. Follow instructions in the Maintenance section of this manual.

Use of unauthorized parts or failure to follow Maintenance Instructions may create a risk of electric shock or injury. Certain cleaning agents such as gasoline, carbon tetrachloride, ammonia, etc. may damage plastic parts.

Rotary Hammer Safety Rules

Hold tools by insulated gripping surfaces when performing an operation where the cutting tool may contact hidden wiring or its own cord. Contact with a "live" wire will make exposed metal parts of the tool "live" and shock the operator. *Do not drill, fasten or break into existing walls or other blind areas where electrical wiring may exist. If this situation is unavoidable, disconnect all fuses or circuit breakers feeding this worksite.*

Wear ear protectors when using the tool for extended periods. Prolonged exposure to high intensity noise can cause hearing loss.

Use a metal detector to determine if there are gas or water pipes hidden in the work area or call the local utility company for assistance before beginning the operation. Striking or cutting into a gas line will result in explosion. Water entering an electrical device may cause electrocution.

Always use the side handle for maximum control over torque reaction or kick-back. Never attempt to operate this tool with one

hand. The slip clutch engages if you firmly control the tool during a torque reaction or kickback.

Always wear safety goggles or eye protection when using this tool. Use a dust mask or respirator for applications which generate dust. Safety goggles or eye protection will help deflect fragments of the material that may be thrown toward your face and eyes. Dust generated or gases released from the material you are cutting (i.e. asbestos insulated pipes, radon) may cause respiratory difficulties.

Use thick cushioned gloves and limit the exposure time by taking frequent rest periods. Vibration caused by hammer-drill action may be harmful to your hands and arms.

Position the cord clear of rotating bit. Do not wrap the cord around your arm or wrist. If cord becomes entangled with the spinning bit it could entrap you causing serious personal injury.

Position yourself to avoid being caught between the tool or side handle and walls or posts. Should the bit become bound or jammed in the work, the reaction torque of the tool could crush your hand or leg.

Do not strike the bit with a handheld hammer or sledge hammer when attempting to dislodge a bound or jammed bit. Fragments of metal from the bit could dislodge and strike you or bystanders.

Never place the tool down until the bit or accessory have come to a complete stop.

Do not use dull or damaged bits and accessories. Dull or damaged bits have a greater tendency to bind in the workpiece.

When removing the bit from the tool avoid contact with skin and use proper protective gloves when grasping the bit or accessory. Accessories may be hot after prolonged use.

Do not run the tool while carrying it at your side. The spinning drill bit may become entangled with clothing and injury may result.

⚠ WARNING Some dust created by power sanding, sawing, grinding, drilling, and other construction activities contains chemicals known to cause cancer, birth defects or other reproductive harm. Some examples of these chemicals are:

- Lead from lead-based paints,
- Crystalline silica from bricks and cement and other masonry products, and
- Arsenic and chromium from chemically-treated lumber.

Your risk from these exposures varies, depending on how often you do this type of work. To reduce your exposure to these chemicals: work in a well ventilated area, and work with approved safety equipment, such as those dust masks that are specially designed to filter out microscopic particles.

Symbols

IMPORTANT: Some of the following symbols may be used on your tool. Please study them and learn their meaning. Proper interpretation of these symbols will allow you to operate the tool better and safer.

Symbol	Name	Designation/Explanation
V	Volts	Voltage (potential)
A	Amperes	Current
Hz	Hertz	Frequency (cycles per second)
W	Watt	Power
kg	Kilograms	Weight
min	Minutes	Time
s	Seconds	Time
∅	Diameter	Size of drill bits, grinding wheels, etc.
n_0	No load speed	Rotational speed, at no load
.../min	Revolutions or reciprocation per minute	Revolutions, strokes, surface speed, orbits etc. per minute
0	Off position	Zero speed, zero torque...
1, 2, 3, ... I, II, III,	Selector settings	Speed, torque or position settings. Higher number means greater speed
	Infinately variable selector with off	Speed is increasing from 0 setting
	Arrow	Action in the direction of arrow
	Alternating current	Type or a characteristic of current
	Direct current	Type or a characteristic of current
	Alternating or direct current	Type or a characteristic of current
	Class II construction	Designates Double Insulated Construction tools.
	Earthing terminal	Grounding terminal
	Warning symbol	Alerts user to warning messages
	Ni-Cad RBRC seal	Designates Ni-Cad battery recycling program



This symbol designates that this tool is listed by Underwriters Laboratories.



This symbol designates that this tool is listed to Canadian Standards by Underwriters Laboratories.



This symbol designates that this tool complies to NOM Mexican Standards.



This symbol designates that this tool is listed by the Canadian Standards Association.



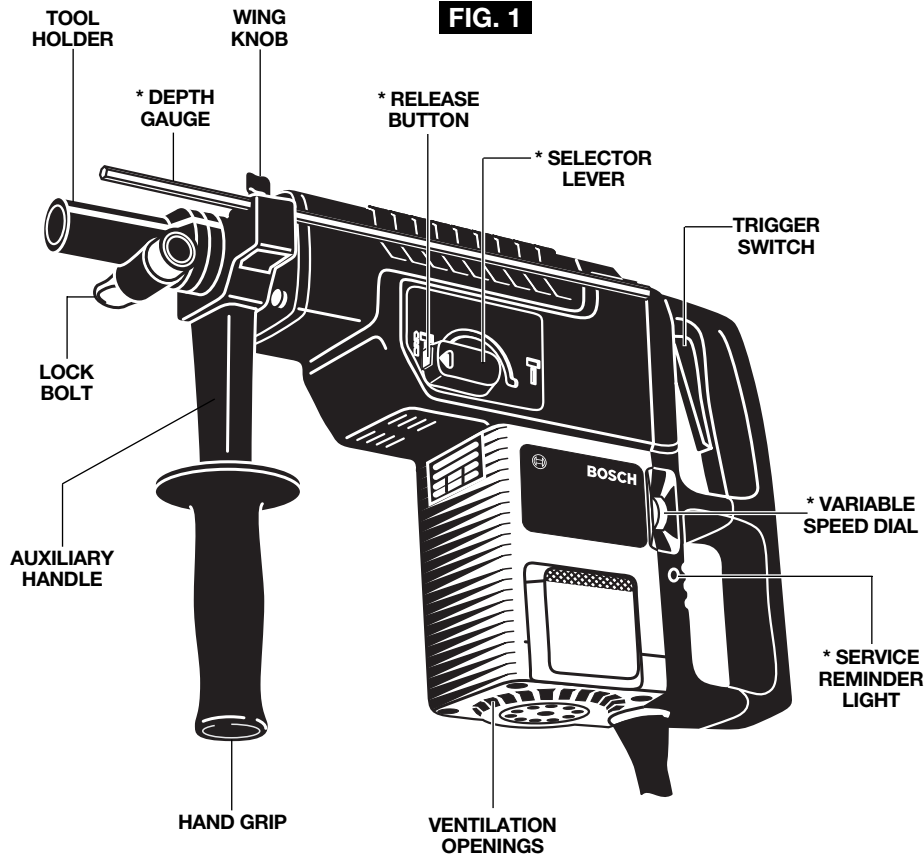
This symbol designates that this tool is listed by Underwriters Laboratories, and listed to Canadian Standards by Underwriters Laboratories.

Functional Description and Specifications

WARNING Disconnect the plug from the power source before making any assembly, adjustments or changing accessories. Such preventive safety measures reduce the risk of starting the tool accidentally.

Rotary Hammers

FIG. 1



*** NOT AVAILABLE ON ALL MODELS**

Model number	11232EVS	11233EVS	11244E
Voltage rating	120 V ~ 50 - 60Hz	120 V ~ 50 - 60Hz	120 V ~ 50 - 60Hz
Amperage rating	8.8 A	8.8 A	8.8 A
No load speed	n_0 1,600-3,200/min	n_0 1,600-3,200/min	n_0 3,200/min
Maximum Capacities:			
Carbide tipped bits	1 1/2"	1 1/2"	1 1/2"
Thru hole bits	2 1/2"	2 1/2"	2 1/2"
Thick wall core bits	3 1/2"	3 1/2"	3 1/2"

Operating Instructions

TRIGGER "ON-OFF" SWITCH

To turn the tool "ON" squeeze the trigger switch. To turn the tool "OFF", release the trigger switch, which is spring loaded and will return to the "OFF" position automatically.

To increase switch life, do not turn switch on and off while tool is under load.

VARIABLE SPEED DIAL

(Models 11232EVS & 11233EVS only)

Your tool is equipped with a variable speed dial. The impact rate (BPM) and rotating speed (RPM) can be varied according to the type of work being performed by setting the variable speed dial to the selected setting. The chart below will help you to determine which setting to use for your application. However, a pre-test will determine the best speed setting, as the chart is intended only as a guide. Once the proper setting is determined the impact rate and rotating speed is kept constant by means of the "Electronic Feedback Circuitry". The variable speed dial can be adjusted while the motor is running with the tool free from work, allowing the operator to adjust the impact rate and rotating speed according to the actual application.

Chipping (Demolition)

Area of application	Control setting
Plaster work	1 - 2
Removing tiles	3
Brick work	4
Concrete	5 - 6

Drilling Holes

Lower speeds	Higher speeds
Accurate starts Minimize breakouts when the bit exits the material.	Faster penetration

ELECTRONIC FEEDBACK CIRCUITRY (EFC)

The internal electronic feedback system provides a "soft start", which will reduce the

stresses that occur from a high torque start. The system also helps to keep the pre-selected impact rate and rotating speed virtually constant between no-load and load conditions.

INSTALLING ACCESSORIES

Clean the insert shank end of the accessory to remove any debris, then lightly grease with a light oil or lubricant.

Pull the lock bolt outward and rotate it 180°. Insert hex shank into the tool holder, with the recess on the shank facing downward. Return the lock bolt to the original position. Pull outward on the accessory to be certain it is locked into the tool holder (Fig. 1).

NOTE: The high efficiency available from the rotary hammers can only be obtained if sharp and undamaged accessories are used. The "cost" to maintain sharp and undamaged accessories is more than offset by the "time saved" in operating the tool with sharp accessories.

REMOVING ACCESSORIES

Accessories may be hot after use. Avoid contact with skin and use proper protective gloves or cloth to remove.

⚠ WARNING To remove an accessory, reverse the previous directions. All accessories should be wiped clean after removing.

SELECTOR LEVER (Model 11233EVS only)

The selector lever allows the tool to be set for various applications as listed in the following chart, (Fig. 2).

When using demolition or chipping bits such as bull points, chisels, spades, gouges, etc. the "Hammer Only" mode must be selected.

FIG. 2

Drilling/Hammering:
used for drilling with solid carbide bits and core bits

Hammering Only:
used for chipping and demolition work

SLIP CLUTCH

The tool has an internal pre-set slip clutch. The output spindle will stop rotating if the accessory binds and overloads the tool.

AUXILIARY HANDLE

The tool must be supported with the auxiliary handle, which can be swiveled 360°. To reposition and/or swivel the handle, loosen the hand grip, move the handle to the

desired position along the barrel and securely retighten the hand grip.

DEPTH GAUGE

(Models 11232EVS & 11233EVS only)

Your drilling depth can be pre-set and/or repeated by using the depth gauge.

Setting depth: After the auxiliary handle is installed, slide the depth gauge to desired depth and securely tighten wing knob.

"TOOL TIPS"

For the best penetration rates in concrete, run the tool with a steady pressure, but do not use excessive force as this will decrease the efficiency of the tool.

All grease packed hammers require a short period of time to warm up. Depending on the room temperature, this time may vary from approximately 15 seconds (90°F) to 2 minutes (32°F). A new hammer requires a break-in period before full performance is realized. This period may require up to 5 hours of operation.

A rotary hammer is likely to be the most expensive portable tool at the construction job. The long wear and efficient operation of the BOSCH hammers will more than justify the cost for tools of this type. As earlier pointed out, sharp accessories as well as clean air vents are necessary for efficient operation. Establish and follow a set maintenance program.

Maintenance

Service

⚠ WARNING Preventive maintenance performed by unauthorized personnel may result in misplacing of internal wires and components which could cause serious hazard. We recommend that all tool service be performed by a Bosch Factory Service Center or Authorized Bosch Service Station.

SERVICE REMINDER LIGHT

(Models 11232EVS & 11233EVS only)

When the service reminder light lights up or blinks, this will indicate that the cut-out carbon brushes will switch off the tool in approximately 8 hours. After that period, the light will go off and the tool will stop running. The tool must then be sent to a service center for service.

TOOL LUBRICATION

Your Bosch tool has been properly lubricated and is ready to use. It is recommended that tools with gears be regreased with a special gear lubricant at every brush change.

CARBON BRUSHES

The brushes and commutator in your tool have been engineered for many hours of dependable service. To maintain peak efficiency of the motor, we recommend every two to six months the brushes be

examined. Only genuine Bosch replacement brushes specially designed for your tool should be used.

BEARINGS

Every second brush change, the bearings should be replaced at Bosch Factory Service Center or Authorized Bosch Service Station. Bearings which become noisy (due to heavy load or very abrasive material cutting) should be replaced at once to avoid overheating or motor failure.

Cleaning

⚠ WARNING To avoid accidents always disconnect the tool from the power supply before cleaning or performing any maintenance. The tool may be cleaned most effectively with compressed dry air. Always wear safety goggles when cleaning tools with compressed air.

Ventilation openings and switch levers must be kept clean and free of foreign matter. Do not attempt to clean by inserting pointed objects through openings.

⚠ CAUTION Certain cleaning agents and solvents damage plastic parts. Some of these are: gasoline, carbon tetrachloride, chlorinated cleaning solvents, ammonia and household detergents that contain ammonia.

Accessories

⚠ WARNING If an extension cord is necessary, a cord with adequate size conductors that is capable of carrying the current necessary for your tool must be used. This will prevent excessive voltage drop, loss of power or overheating. Grounded tools must use 3-wire extension cords that have 3-prong plugs and receptacles.

NOTE: The smaller the gauge number, the heavier the cord.

RECOMMENDED SIZES OF EXTENSION CORDS
120 VOLT ALTERNATING CURRENT TOOLS

Tool's Ampere Rating	Cord Size in A.W.G.				Wire Sizes in mm ²			
	Cord Length in Feet				Cord Length in Meters			
	25	50	100	150	15	30	60	120
3-6	18	16	16	14	.75	.75	1.5	2.5
6-8	18	16	14	12	.75	1.0	2.5	4.0
8-10	18	16	14	12	.75	1.0	2.5	4.0
10-12	16	16	14	12	1.0	2.5	4.0	—
12-16	14	12	—	—	—	—	—	—

* Auxiliary handle

* Carrying case

* Depth gauge (11232EVS & 11233EVS only)

(* = standard equipment)

(** = optional accessories)

Règles de Sécurité Générales



AVERTISSEMENT

Vous devez lire et comprendre toutes les instructions. Le non-respect, même partiel, des instructions ci-après entraîne un risque de choc électrique, d'incendie et/ou de blessures graves.

CONSERVEZ CES INSTRUCTIONS


Aire de travail

Veillez à ce que l'aire de travail soit propre et bien éclairée. Le désordre et le manque de lumière favorisent les accidents.

N'utilisez pas d'outils électriques dans une atmosphère explosive, par exemple en présence de liquides, de gaz ou de poussières inflammables. Les outils électriques créent des étincelles qui pourraient enflammer les poussières ou les vapeurs.

Tenez à distance les curieux, les enfants et les visiteurs pendant que vous travaillez avec un outil électrique. Ils pourraient vous distraire et vous faire faire une fausse manœuvre.

Sécurité électrique

Les outils à double isolation sont équipés d'une fiche polarisée (une des lames est plus large que l'autre), qui ne peut se brancher que d'une seule façon dans une prise polarisée. Si la fiche n'entre pas parfaitement dans la prise, inversez sa position ; si elle n'entre toujours pas bien, demandez à un électricien qualifié d'installer une prise de courant polarisée. **Ne modifiez pas la fiche de l'outil.** La double isolation  élimine le besoin d'un cordon d'alimentation à trois fils avec mise à la terre ainsi que d'une prise de courant mise à la terre. *Avant de brancher l'outil, assurez-vous que la tension de la prise correspond, à celle indiquée sur la plaque signalétique. N'utilisez pas d'outils prévus pour courant alternatif seulement avec une source de courant continu.*

Évitez tout contact corporel avec des surfaces mises à la terre (tuyauterie, radiateurs, cuisinières, réfrigérateurs, etc.). Le risque de choc électrique est plus grand si votre corps est en contact avec la terre. Si l'utilisation de l'outil électrique dans un endroit humide est inévitable, un disjoncteur de fuite à la terre doit être utilisé pour alimenter votre outil. Des chaussures et des gants en caoutchouc d'électricien contribueront à accroître davantage votre sécurité personnelle.

N'exposez pas les outils électriques à la pluie ou à l'eau. La présence d'eau dans un outil électrique augmente le risque de choc électrique.

Ne maltraitez pas le cordon. Ne transportez pas l'outil par son cordon et ne débranchez pas la fiche en tirant sur le cordon. N'exposez pas le cordon à la chaleur, à des huiles, à des arêtes vives ou à des pièces en mouvement. Remplacez immédiatement un cordon endommagé. Un cordon endommagé augmente le

risque de choc électrique.

Lorsque vous utilisez un outil électrique à l'extérieur, employez un prolongateur pour l'extérieur marqué « W-A » ou « W ». Ces cordons sont faits pour être utilisés à l'extérieur et réduisent le risque de choc électrique. Reportez-vous aux « Dimensions recommandées des cordons de rallonge » dans la section Accessoires de ce manuel.

Sécurité des personnes

Restez alerte, concentrez-vous sur votre travail et faites preuve de jugement. N'utilisez pas un outil électrique si vous êtes fatigué ou sous l'influence de drogues, d'alcool ou de médicaments. Un instant d'inattention suffit pour entraîner des blessures graves.

Habillez-vous convenablement. Ne portez ni vêtements flottants ni bijoux. Confinez les cheveux longs. N'approchez jamais les cheveux, les vêtements ou les gants des pièces en mouvement. Des vêtements flottants, des bijoux ou des cheveux longs risquent d'être happés par des pièces en mouvement. Gardez les poignées sèches, propres et exemptes d'huile et de graisse.

Méfiez-vous d'un démarrage accidentel. Avant de brancher l'outil, assurez-vous que son interrupteur est sur ARRÊT. Le fait de transporter un outil avec le doigt sur la détente ou de brancher un outil dont l'interrupteur est en position MARCHE peut mener tout droit à un accident.

Enlevez les clés de réglage ou de serrage avant de démarrer l'outil. Une clé laissée dans une pièce tournante de l'outil peut provoquer des blessures.

Ne vous penchez pas trop en avant. Maintenez un bon appui et restez en équilibre en tout temps. Une bonne stabilité vous permet de mieux réagir à une situation inattendue.

Utilisez des accessoires de sécurité. Portez toujours des lunettes ou une visière. Selon les conditions, portez aussi un masque antipoussière, des bottes de sécurité antidérapantes, un casque protecteur et/ou un appareil antibruit.

Utilisation et entretien des outils

Immobilisez le matériau sur une surface stable au moyen de brides ou de toute autre façon adéquate. Le fait de tenir la pièce avec la main ou contre votre corps offre une stabilité insuffisante et peut amener un dérapage de l'outil.

Ne forcez pas l'outil. Utilisez l'outil approprié à la tâche. L'outil correct fonctionne mieux et de façon plus sécuritaire. Respectez aussi la vitesse de travail qui lui est propre.

N'utilisez pas un outil si son interrupteur est bloqué. Un outil que vous ne pouvez pas commander par son interrupteur est dangereux et doit être réparé.

Débranchez la fiche de l'outil avant d'effectuer un réglage, de changer d'accessoire ou de ranger l'outil. De telles mesures préventives de sécurité réduisent le risque de démarrage accidentel de l'outil.

Rangez les outils hors de la portée des enfants et d'autres personnes inexpérimentées. Les outils sont dangereux dans les mains d'utilisateurs novices.

Prenez soin de bien entretenir les outils. Les outils de coupe doivent être toujours bien affûtés et propres. Des outils bien entretenus, dont les arêtes sont bien tranchantes, sont moins susceptibles de coincer et plus faciles à diriger. Toute altération ou modification constitue un usage erroné et peut causer un danger.

Soyez attentif à tout désalignement ou coincement des pièces en mouvement, à tout bris ou à toute autre condition préjudiciable au bon fonctionnement de

l'outil. Si vous constatez qu'un outil est endommagé, faites-le réparer avant de vous en servir. De nombreux accidents sont causés par des outils en mauvais état. Élaborez un calendrier d'entretien périodique de votre outil.

N'utilisez que des accessoires que le fabricant recommande pour votre modèle d'outil. Certains accessoires peuvent convenir à un outil, mais être dangereux avec un autre.

Réparation

La réparation des outils électriques doit être confiée à un réparateur qualifié. L'entretien ou la réparation d'un outil électrique par un amateur peut avoir des conséquences graves. Ainsi, des fils internes peuvent être mal placés ou pincés, des ressorts de rappel de protecteur peuvent être montés erronément.

Pour la réparation d'un outil, n'employez que des pièces de rechange d'origine. Suivez les directives données à la section « Réparation » de ce manuel.

L'emploi de pièces non autorisées ou le non-respect des instructions d'entretien peut créer un risque de choc électrique ou de blessures. Certains agents nettoyants tels qu'essence, tétrachlorure de carbone, ammoniac, etc., peuvent abîmer les pièces en plastique.

Règles de sécurité concernant les marteaux rotatifs

Tenez l'outil par les surfaces isolées de préhension en effectuant une opération où l'outil de coupe peut venir en contact avec des fils dissimulés. Le contact avec un fil sous tension rendra également les pièces métalliques exposées de l'outil sous tension et causera des secousses électriques à l'opérateur. *Ne percez, fixez et ne rentrez pas dans des murs existants ou autres endroits aveugles pouvant abriter des fils électriques. Si cette situation est inévitable, débranchez tous les fusibles ou les disjoncteurs alimentant ce site.*

Portez un serre-tête antibruit lorsque vous utilisez l'outil pendant des périodes prolongées. L'exposition prolongée à un bruit de haute intensité peut causer une perte auditive.

Utilisez un détecteur de métaux afin d'établir s'il y a des tuyaux d'eau ou à gaz dissimulés dans l'aire de travail ou appelez la compagnie de service public locale pour assistance avant de commencer l'opération. Le fait de frapper une conduite de gaz ou de couper dans celle-ci provoquera une explosion. L'eau pénétrant dans un appareil électrique peut entraîner une électrocution.

Utilisez toujours la poignée auxiliaire pour un contrôle maximal sur le rebond ou la réaction de couple. Ne tentez jamais d'utiliser cet outil d'une seule main. L'embrayage à friction s'enclenche si vous

tenez fermement l'outil quand celui-ci subit un couple de réaction ou un recul brutal.

Portez toujours des lunettes à coques latérales ou des lunettes de protection en utilisant cet outil.

Utilisez un respirateur ou un masque antipoussières pour les applications qui produisent de la poussière. Les lunettes de sécurité ou la protection oculaire permettent de dévier les fragments de matériau qui pourraient être projetés vers votre visage et vos yeux. La poussière générée ou les gaz libérés par le matériau que vous travaillez (par ex. tuyaux à isolation amiante, radon) peuvent causer des difficultés respiratoires.

Utilisez des gants rembourrés épais et limitez le temps d'exposition en prenant des pauses fréquentes. Les vibrations causées par l'action du marteau-perceuse peuvent être nocives pour vos mains et vos bras.

Placez le cordon à l'écart du foret en rotation. N'enroulez pas le cordon autour de votre bras ou de votre poignet. Si vous perdez contrôle et que le cordon s'enroule autour de votre bras ou de votre poignet, il peut vous emprisonner et vous blesser.

Placez-vous de manière à éviter d'être pris entre l'outil ou la poignée latérale et les murs ou les montants. Si le foret se coince ou grippe dans

l'ouvrage, le couple de réaction de l'outil pourrait écraser votre main ou votre pied.

Ne frappez pas le foret avec une masse ou un marteau à main en tentant de déloger un foret grippé ou coincé. Des fragments métalliques pourraient se détacher du foret et vous frapper ou frapper des personnes présentes.

Ne posez jamais l'outil jusqu'à ce que le foret ou l'accessoire se soit arrêté complètement.

N'utilisez pas de forets et d'accessoires émoussés ou endommagés. Les forets émoussés ou endommagés ont tendance à gripper dans l'ouvrage.

En retirant le foret de l'outil, évitez tout contact avec la peau et utilisez des gants protecteurs appropriés en saisissant le foret ou l'accessoire. Les accessoires peuvent être chauds après une utilisation prolongée.

Ne laissez pas l'outil en marche tout en le portant à votre côté. Le foret en rotation peut s'emmêler avec les vêtements et causer des blessures.

⚠ AVERTISSEMENT Les travaux à la machine tel que ponçage, sciage, meulage, perçage et autres travaux du bâtiment peuvent créer des poussières contenant des produits chimiques qui sont des causes reconnues de cancer, de malformation congénitale ou d'autres problèmes reproductifs. Ces produits chimiques sont, par exemple :


- Le plomb provenant des peintures à base de plomb,
- Les cristaux de silices provenant des briques et du ciment et d'autres produits de maçonnerie, et
- L'arsenic et le chrome provenant des bois traités chimiquement.


Le niveau de risque dû à cette exposition varie avec la fréquence de ces types de travaux. Pour réduire l'exposition à ces produits chimiques, il faut travailler dans un lieu bien ventilé et porter un équipement de sécurité approprié tel que certains masques à poussière conçus spécialement pour filtrer les particules microscopiques.

Symboles


Important : Certains des symboles suivants peuvent être utilisés sur votre outil. Veuillez les étudier et apprendre leur signification. Une interprétation appropriée de ces symboles vous permettra d'utiliser l'outil de façon plus efficace et plus sûre.


Symbole	Nom	Désignation/Explication
V	Volts	Tension (potentielle)
A	Ampères	Courant
Hz	Hertz	Fréquence (cycles par seconde)
W	Watt	Puissance
kg	Kilogrammes	Poids
min	Minutes	Temps
s	Secondes	Temps
∅	Diamètre	Taille des mèches de perceuse, meules, etc.
n_0	Vitesse à vide	Vitesse de rotation, à vide
.../min	Tours ou mouvement alternatif par minute	Tours, coups, vitesse en surface, orbites, etc., par minute,
0	Position d'arrêt	Vitesse zéro, couple zéro ...
1, 2, 3, ... I, II, III, ...	Réglages du sélecteur	Réglages de vitesse, de couple ou de position. Un nombre plus élevé signifie une vitesse plus grande.
	Sélecteur variable à l'infini avec arrêt	La vitesse augmente depuis le réglage 0
	Flèche	Action dans la direction de la flèche
	Courant alternatif	Type ou caractéristique du courant
	Courant continu	Type ou caractéristique du courant
	Courant alternatif ou continu	Type ou caractéristique du courant
	Construction classe II isolation	Désigne des outils construits avec double
	Borne de terre	borne de mise à la terre
	Symbole d'avertissement	Alerte l'utilisateur aux messages d'avertissement.
	Sceau Ni-Cad RBRCmc	Désigne le programme de recyclage des piles Ni-Cad.

 Ce symbole signifie que cet outil est approuvé par Underwriters Laboratories.

 Ce symbole signifie que cet outil est approuvé conformément aux normes canadiennes par Underwriters Laboratories.

 Ce symbole signifie que cet outil se conforme aux normes mexicaines NOM.

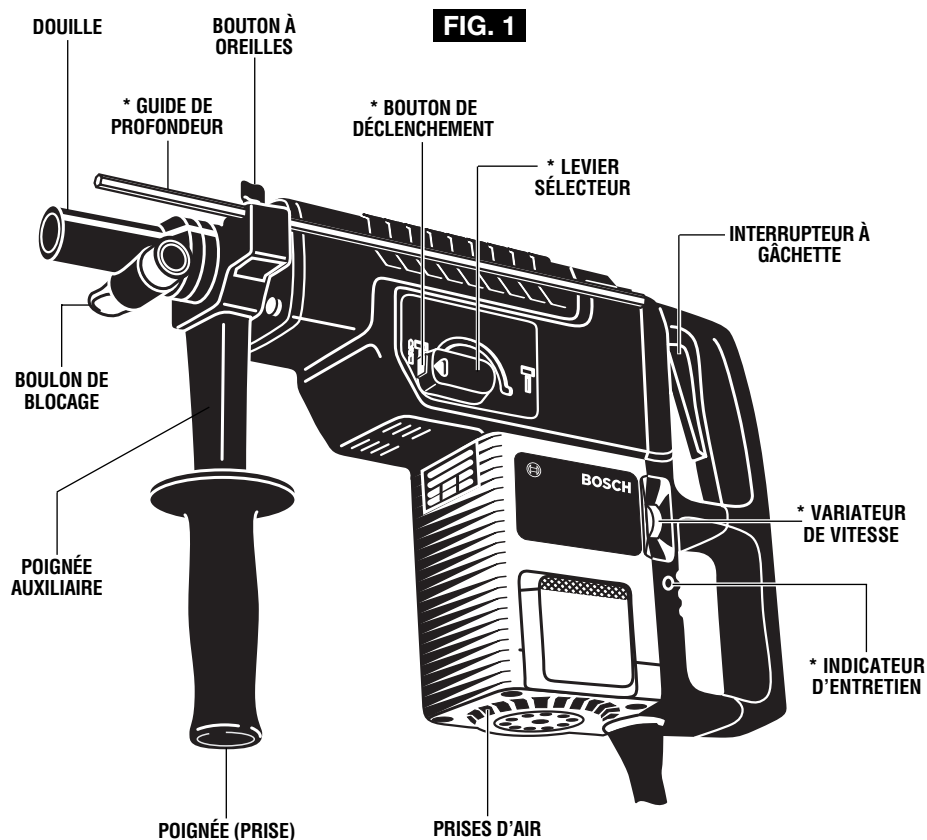
 Ce symbole signifie que cet outil est approuvé par l'Association canadienne de normalisation.

 Ce symbole signifie que cet outil est approuvé par Underwriters Laboratories et qu'il a été homologué selon les normes canadiennes par Underwriters Laboratories.

Description fonctionnelle et spécifications

⚠ AVERTISSEMENT Débranchez la fiche de la prise de courant avant d'effectuer quelque assemblage ou réglage que ce soit ou de changer les accessoires. Ces mesures de sécurité préventive réduisent le risque d'une mise en marche accidentelle de l'outil.

Marteau rotatif



*** NON DISPONIBLE SUR TOUS LES MODÈLES**

Numéro de modèle	11232EVS	11233EVS	11244E
Tension nominale	120 V ~ 50 - 60Hz	120 V ~ 50 - 60Hz	120 V ~ 50 - 60Hz
Intensité nominale	8,8 A	8,8 A	8,8 A
Vitesse à vide	n_0 1 600-3 200/min	n_0 1 600-3 200/min	n_0 3 200/min

Capacités maximales :

Mèches à pointe au carbure	38 mm	38 mm	38 mm
Mèches pour trous de passage	64 mm	64 mm	64 mm
Mèches à carottage	89 mm	89 mm	89 mm

Consignes de fonctionnement

GACHETTE DE COMMANDE

Pour mettre l'outil en marche, serrez la gâchette de commande. Pour l'arrêter, relâchez tout simplement la gâchette. L'interrupteur, qui est à ressort, retournera automatiquement à la position d'arrêt.

Si vous voulez que l'interrupteur dure davantage, évitez de l'actionner alors que l'outil est sous charge.

VARIATEUR DE VITESSE

(Modèles 11232EVS & 11233EVS seulement)

Votre outil est équipé d'un variateur de vitesse à cadran. Il est possible, en réglant le variateur à la valeur désirée, de changer la fréquence des coups (c/mn) et la vitesse de rotation (tr/mn) en fonction du genre de travail à accomplir. Le tableau ci-après vous aidera à choisir le réglage qui convient. Cependant, un essai préliminaire vous indiquera plus précisément la vitesse à adopter étant donné que le tableau n'est pas très élaboré. Une fois que vous avez déterminé le réglage approprié, la fréquence des coups et la vitesse de rotation demeureront constantes grâce au « circuit de réaction électronique ». Le cadran du variateur de vitesse peut être réglé pendant que le moteur est en marche à condition que l'outil ne soit pas en prise, permettant ainsi à l'utilisateur de régler la fréquence des coups et la vitesse de rotation en fonction de la tâche.

BURINAGE (DÉMOLITION)

Domaine d'application	Réglage
Plâtrage	1 - 2
Carreaux de céramique	3
Brique	4
Béton	5 - 6

TRAVAUX DE FORAGE

Vitesses inférieures	Vitesses supérieures
Départs précis Minimisent le risque d'éclatement quand la mèche transperce le matériau.	Forage en rapidité

CIRCUIT DE RÉACTION ÉLECTRONIQUE (CRE)

Le dispositif de réaction interne assure un « départ en douceur », réduisant ainsi les contraintes que

procure un départ à couple élevé. De même, le dispositif aide à maintenir la fréquence des coups et la vitesse de rotation pratiquement constantes indépendamment de la charge.

POSE DE L'ÉQUIPEMENT ACCESSOIRE

Nettoyez la tige de l'embout pour enlever toute saleté, puis enduisez-la modérément d'une huile ou graisse légère.

Tirez le boulon de blocage vers l'extérieur et faites-le tourner de 180°. Insérez la tige hexagonale dans la douille, le renforcement sur la tige étant dirigé vers le bas. Remettez le boulon de blocage à sa position initiale. Tirez l'accessoire vers l'extérieur pour vous assurer qu'il est bloqué dans la douille (fig. 1).

REMARQUE : Le marteau rotatif ne produira les résultats attendus que si vous l'équipez d'embouts bien affûtés et en parfait état. Les frais d'entretien de l'équipement sont minimes comparés au temps que vous épargnerez.

DÉPOSE DE L'ÉQUIPEMENT ACCESSOIRE

⚠ AVERTISSEMENT L'équipement peut être chaud après l'usage. Évitez tout contact avec la peau et utilisez un chiffon ou des gants protecteurs appropriés pour déposer.

Pour déposer un accessoire, procédez à l'inverse de la pose. Prenez l'habitude de nettoyer les accessoires à leur enlèvement.

LEVIER SÉLECTEUR

(Modèle 11233EVS seulement)

Le levier sélecteur permet de régler l'outil en fonction de diverses applications tel qu'il est indiqué dans le tableau suivant (fig. 2).

Lorsque vous utilisez des mèches de démolition ou de dégrossissage telles que burins, vrilles, gouges, etc., vous devez sélectionner le mode «Marteau seulement».

FIG. 2



Perçage/martelage :
utilisé pour le perçage avec mèches solides au carbure et mèches creuses



Martelage seulement :
servant au burinage et à la démolition

ACCOUPLÉMENT À GLISSEMENT

L'outil renferme un accouplement à glissement préréglé. L'arbre arrêtera de tourner si l'accessoire grippe et surcharge l'outil.

POIGNÉE AUXILIAIRE

La poignée auxiliaire, qui pivote sur 360°, doit être utilisée pour supporter l'outil. Pour repositionner et/ou faire pivoter la poignée, desserrez la manette, déplacez la poignée à la position désiré le long du cylindre, puis resserrez fermement la manette.

GUIDE DE PROFONDEUR**(Modèles 11232EVS & 11233EVS seulement)**

Grâce au guide, il est possible de régler et/ou d'obtenir successivement la profondeur.

Réglage de la profondeur: Après l'installation de la poignée auxiliaire, glissez le guide à la profondeur voulue et serrez solidement le bouton à oreilles.

Pour de meilleurs résultats dans le béton, exercez une pression uniforme sans excès de force. Autrement, l'outil ne donnera pas le rendement prévu.

CONSEILS PRATIQUES

Tous les marteaux garnis de grasse mettent un peu de temps à se réchauffer. Selon la température de la pièce, le temps peut varier de 15 secondes (90°F) à 2 minutes (32°F). Un marteau neuf n'atteindra sa pleine performance qu'après avoir fait l'objet de rodage approprié, à savoir jusqu'à 5 heures de fonctionnement.

Un marteau rotatif est probablement l'outil portatif le plus dispendieux en chantier. La robustesse et

l'efficacité des marteaux Bosch feront plus que justifier le coût des outils de ce genre. Tel qu'il a été signalé antérieurement, l'entretien des accessoires et la propreté des prises d'air influent directement sur le rendement de l'outil. Adoptez un programme d'entretien que vous suivrez régulièrement.

Maintenance

Entretien

⚠ AVERTISSEMENT L'entretien préventif effectué par des employés non autorisés peut entraîner un positionnement erroné des composants et des fils internes, et ainsi causer des dangers sévères. Il est recommandé que l'entretien et la réparation de nos outils soient confiés à un centre de service-usine Bosch ou à un centre de service après-vente Bosch agréé.

INDICATEUR D'ENTRETIEN

(Modèles 11232EVS & 11233EVS seulement)

L'indicateur d'entretien s'allume ou clignote pour signaler que les balais mettront l'outil hors tension dans les prochaines 8 heures environ. Une fois que ce délai est écoulé, le témoin s'éteindra et l'outil ne fonctionnera plus. Il faudra donc confier l'entretien de l'outil à un centre de service.

GRAISSAGE DE L'OUTIL

Votre outil Bosch a été convenablement graissé et est prêt à utiliser. Il est recommandé que les outils à engrenages soient regraissés avec une graisse spéciale à l'occasion de tout remplacement de balais.

BALAIS DE CHARBON

Les balais et le collecteur de votre outil ont été conçus pour donner plusieurs heures de fonctionnement sans aléas. Pour maintenir le moteur en forme, nous recommandons d'examiner les balais tous les deux à six mois. Vous ne devriez utiliser que les balais de

rechange d'origine Bosch qui conviennent spécialement à votre outil.

ROULEMENTS

Tous les deux remplacements de balais, il faudrait confier le remplacement des roulements à un centre de service-usine Bosch ou à un centre de service après-vente Bosch agréé. Les roulements qui sont devenus bruyants (à cause de sciage de matériaux très abrasifs ou de durs efforts) devraient être remplacés à l'instant pour éviter la surchauffe et la défaillance du moteur.

Nettoyage

⚠ AVERTISSEMENT Pour éviter le risque d'accidents, débranchez toujours l'outil de la prise de courant avant de procéder au nettoyage ou à l'entretien. Vous pouvez très bien le nettoyer à l'air comprimé. Dans ce cas, portez toujours des lunettes de sécurité.

Gardez les prises d'air et les interrupteurs propres et libres de débris. N'essayez pas de les nettoyer en introduisant des objets pointus dans leurs ouvertures.

⚠ AVERTISSEMENT Certains produits de nettoyage et dissolvants dont la gazoline, le tétrachlorure de carbone, les nettoyeurs chlorés, l'ammoniaque et les détergents ménagers contenant de l'ammoniaque peuvent abîmer les pièces en plastique.

Accessoires

⚠ AVERTISSEMENT Si un cordon de rallonge s'avère nécessaire, vous devez utiliser un cordon avec conducteurs de dimension adéquate pouvant porter le courant nécessaire à votre outil. Ceci préviendra une chute excessive de tension, une perte de courant ou une surchauffe. Les outils mis à la terre doivent utiliser des cordons de rallonge trifilaires pourvus de fiches à trois broches ainsi que des prises à trois broches.

REMARQUE : Plus le calibre est petit, plus le fil est gros.

DIMENSIONS DE RALLONGES RECOMMANDÉES OUTILS 120 VOLTS COURANT ALTERNATIF

Intensité nominale de l'outil	Longueur en pieds				Longueur en mètres			
	Calibre A.W.G.				Calibre en mm ²			
	25	50	100	150	15	30	60	120
3-6	18	16	16	14	.75	.75	1.5	2.5
6-8	18	16	14	12	.75	1.0	2.5	4.0
8-10	18	16	14	12	.75	1.0	2.5	4.0
10-12	16	16	14	12	1.0	2.5	4.0	—
12-16	14	12	—	—	—	—	—	—

* Poignée auxiliaire

* Étui

* Guide de profondeur (11232EVS & 11233EVS seulement)

(* = équipement standard)

(** = accessoire en option)

Normas de seguridad para herramientas mecánicas



ADVERTENCIA

Lea y entienda todas las instrucciones. El incumplimiento de todas las instrucciones indicadas a continuación puede dar lugar a sacudidas eléctricas, incendios y/o lesiones personales graves.

CONSERVE ESTAS INSTRUCCIONES

Area de trabajo

Mantenga el área de trabajo limpia y bien iluminada. Las mesas desordenadas y las áreas oscuras invitan a que se produzcan accidentes.

No utilice herramientas mecánicas en atmósferas explosivas, tales como las existentes en presencia de líquidos, gases o polvos inflamables. Las herramientas mecánicas generan chispas y éstas pueden dar lugar a la ignición del polvo o los vapores.

Mantenga a las personas que se encuentren presentes, a los niños y a los visitantes alejados al utilizar una herramienta mecánica. Las distracciones pueden hacer que usted pierda el control.

Seguridad eléctrica

Las herramientas con aislamiento doble están equipadas con un enchufe polarizado (un terminal es más ancho que el otro). Este enchufe entrará en un tomacorriente polarizado solamente de una manera. Si el enchufe no entra por completo en el tomacorriente, déle la vuelta. Si sigue sin entrar, póngase en contacto con un electricista competente para instalar un tomacorriente polarizado. No haga ningún tipo de cambio en el enchufe. El aislamiento doble elimina la necesidad del sistema de cordón de energía de tres hilos conectado a tierra y la fuente de energía conectada a tierra. *Antes de enchufar la herramienta, asegúrese de que la tensión del tomacorriente suministrada se encuentre dentro del margen de la tensión especificada en la placa del fabricante. No utilice herramientas con capacidad nominal "AC solamente" ("AC only") con una fuente de energía DC.*

Evite el contacto del cuerpo con las superficies conectadas a tierra tales como tuberías, radiadores, estufas de cocina y refrigeradores. Hay mayor riesgo de que se produzcan sacudidas eléctricas si su cuerpo está conectado a tierra. Si la utilización de la herramienta mecánica en lugares húmedos es inevitable, se debe usar un interruptor de circuito para fallos a tierra para suministrar la energía a la herramienta. Los guantes de goma para electricista y el calzado antideslizante aumentarán más la seguridad personal.

No exponga las herramientas mecánicas a la lluvia ni a situaciones húmedas. La entrada de agua en una herramienta mecánica aumentará el riesgo de que se produzcan sacudidas eléctricas.

No abuse del cordón. Nunca use el cordón para llevar las herramientas ni para sacar el enchufe de un tomacorriente. Mantenga el cordón alejado del calor, el aceite, los bordes afilados o las piezas móviles. Cambie los cordones dañados inmediatamente. Los cordones dañados aumentan el riesgo de que se produzcan sacudidas eléctricas.

Al utilizar una herramienta mecánica a la intemperie, utilice un cordón de extensión para intemperie marcado "W-A" o "W". Estos cordones tienen capacidad nominal para uso a la intemperie y reducen el riesgo de que se produzcan sacudidas eléctricas. Consulte "Tamaños recomendados de los cordones de extensión" en la sección Accesorios de este manual.

Seguridad personal

Manténgase alerta, fíjese en lo que está haciendo y use el sentido común cuando utilice una herramienta mecánica. No use la herramienta cuando esté cansado o se encuentre bajo la influencia de drogas, alcohol o medicamentos. Un momento de distracción al utilizar herramientas mecánicas puede dar lugar a lesiones personales graves.

Vístase adecuadamente. No se ponga ropa holgada ni joyas. Sujétese el pelo. Mantenga el pelo, la ropa y los guantes alejados de las piezas móviles. La ropa holgada, las joyas o el pelo largo pueden quedar atrapados en las piezas móviles. Mantenga los mangos secos, limpios y libres de aceite y grasa.

Evite el arranque accidental. Asegúrese de que el interruptor esté en la posición "OFF" (apagado) antes de enchufar la herramienta. El llevar las herramientas con el dedo en el interruptor o el enchufar herramientas que tengan el interruptor en la posición "ON" (encendido) invita a que se produzcan accidentes.

Quite las llaves de ajuste o de tuerca antes de encender la herramienta. Una llave de ajuste o de tuerca que se deje puesta en una pieza giratoria de la herramienta puede ocasionar lesiones personales.

No intente alcanzar demasiado lejos. Mantenga un apoyo de los pies y un equilibrio adecuados en todo momento. El apoyo de los pies y el equilibrio adecuados permiten un mejor control de la herramienta en situaciones inesperadas.

Utilice equipo de seguridad. Use siempre protección de los ojos. Se debe utilizar una máscara antipolvo, zapatos de seguridad antideslizantes, casco o

protección de los oídos según lo requieran las condiciones.

Utilización y cuidado de las herramientas

Utilice abrazaderas u otro modo práctico de fijar y soportar la pieza de trabajo a una plataforma estable.

La sujeción de la pieza de trabajo con la mano o contra el cuerpo resulta inestable y puede ocasionar pérdida de control.

No fuerce la herramienta. Use la herramienta correcta para la aplicación que desea. La herramienta correcta hará el trabajo mejor y con más seguridad a la capacidad nominal para la que está diseñada.

No utilice la herramienta si el interruptor no la enciende o apaga. Toda herramienta que no se pueda controlar con el interruptor es peligrosa y debe ser reparada.

Desconecte el enchufe de la fuente de energía antes de hacer cualquier ajuste, cambiar accesorios o guardar la herramienta. Estas medidas de seguridad preventivas reducen el riesgo de arrancar la herramienta accidentalmente.

Guarde las herramientas que no esté usando fuera del alcance de los niños y otras personas no capacitadas. Las herramientas son peligrosas en las manos de los usuarios no capacitados.

Mantenga las herramientas con cuidado. Conserve las herramientas de corte afiladas y limpias. Las herramientas mantenidas adecuadamente, con bordes de corte afilados, tienen menos probabilidades de atascarse y son más fáciles de controlar. Toda alteración o modificación constituye un uso incorrecto y puede tener como resultado una situación peligrosa.

Compruebe la desalineación o el atasco de las piezas móviles, la ruptura de piezas y cualquier otra situación que pueda afectar el funcionamiento de las herramientas. Si la herramienta está dañada, haga que realicen un servicio de ajustes y reparaciones a la herramienta antes de usarla. Muchos accidentes son causados por herramientas mantenidas deficientemente. Establezca un programa de mantenimiento periódico para la herramienta.

Utilice únicamente accesorios que estén recomendados por el fabricante de su modelo. Los accesorios que pueden ser adecuados para una herramienta pueden volverse peligrosos cuando se utilizan en otra herramienta.

Servicio

El servicio de ajustes y reparaciones de una herramienta debe ser realizado únicamente por personal de reparaciones competente. El servicio o mantenimiento realizado por personal no competente podría ocasionar un peligro de que se produzcan lesiones. Por ejemplo: Los cables internos pueden colocarse mal o pellizcarse, los resortes de retorno de los protectores de seguridad pueden montarse inadecuadamente.

Al realizar servicio de ajustes y reparaciones de una herramienta, utilice únicamente piezas de repuesto idénticas. Siga las instrucciones que aparecen en la sección Mantenimiento de este manual. El uso de piezas no autorizadas o el incumplimiento de las instrucciones de Mantenimiento puede ocasionar un peligro de que se produzcan sacudidas eléctricas o lesiones. Ciertos agentes de limpieza, tales como gasolina, tetracloruro de carbono, amoníaco, etc., pueden dañar las piezas de plástico.

Normas de seguridad para martillos giratorios

Sujete la herramienta por las superficies de agarre aisladas cuando realice una operación en la que la herramienta de corte pueda entrar en contacto con cables ocultos o con su propio cordón. El contacto con un cable que tenga corriente hará que ésta pase a las partes metálicas descubiertas de la herramienta y que el operador reciba sacudidas eléctricas. *No taladre, rompa, ni haga trabajo de sujeción en paredes existentes ni en otras áreas ciegas donde pueda haber cables eléctricos. Si esta situación es inevitable, desconecte todos los fusibles o cortacircuitos que alimentan este sitio de trabajo.*

Use protectores de oídos cuando utilice la herramienta durante períodos prolongados. La exposición prolongada a ruido de alta intensidad puede causar pérdida de audición.

Utilice un detector de metales para determinar si hay tuberías de gas o de agua ocultas en el área de

trabajo o llame a la compañía local de servicios públicos para obtener asistencia antes de comenzar la operación. Golpear o cortar una tubería de gas producirá una explosión. La entrada de agua en un dispositivo eléctrico puede causar electrocución.

Utilice siempre el mango auxiliar para tener un control máximo sobre la reacción de par motor o retroceso. Nunca intente manejar esta herramienta con una mano. El embrague deslizante se acopla si usted controla firmemente la herramienta durante una reacción de par motor o retroceso.

Use siempre gafas de seguridad o protección de los ojos cuando utilice esta herramienta. Use una máscara antipolvo o un respirador para aplicaciones que generan polvo. Las gafas de seguridad o la protección de los ojos ayudarán a desviar los fragmentos del material que puedan salir despedidos hacia la cara y los ojos. El polvo generado o los gases

liberados por los materiales que esté cortando (por ej., tuberías con aislamiento de asbesto, radón) pueden causar dificultades respiratorias.

Use guantes con almohadillado grueso y limite el tiempo de exposición tomando frecuentes períodos de descanso. La vibración causada por la acción de percusión y taladrado puede ser perjudicial para las manos y los brazos.

Posicione el cordón de modo que esté alejado de la broca que gira. No enrolle el cordón alrededor del brazo o de la muñeca. Si pierde el control y tiene el cordón enrollado en el brazo o en la muñeca, el cordón puede atraparlo y causarle lesiones.

Sitúese de modo que evite ser atrapado entre la herramienta o el mango lateral y las paredes o los postes. Si la broca se atasca o se engancha en la pieza de trabajo, el par motor de reacción de la herramienta podría aplastarle la mano o la pierna.

No golpee la broca con un martillo de mano ni con una herramienta de martilleo cuando intente soltar una broca atascada o enganchada. Se podrían soltar fragmentos de metal de la broca y golpearle a usted o golpear a las personas que se encuentren presentes.

Nunca deje la herramienta en ningún lugar hasta que la broca o el accesorio se haya detenido por completo.

No utilice brocas ni accesorios desafilados o dañados. Las brocas o accesorios desafilados o dañados pueden atascarse frecuentemente en la pieza de trabajo, causando una reacción de par motor.

Al sacar la broca de la herramienta, evite el contacto con la piel y use guantes de protección adecuados al agarrar la broca o el accesorio. Los accesorios pueden estar calientes después de un uso prolongado.

No tenga en marcha la herramienta mientras la lleva a su lado. La broca taladradora que gira puede engancharse en la ropa y se pueden producir lesiones.

⚠ ADVERTENCIA Cierta polvo generado por el lijado, aserrado, amolado y taladrado mecánicos, y por otras actividades de construcción, contiene agentes químicos que se sabe que causan cáncer, defectos de nacimiento u otros daños sobre la reproducción. Algunos ejemplos de estos agentes químicos son:

- Plomo de pinturas a base de plomo,
- Sílice cristalina de ladrillos y cemento y otros productos de mampostería, y
- Arsénico y cromo de madera tratada químicamente.

Su riesgo por causa de estas exposiciones varía, dependiendo de con cuánta frecuencia realice este tipo de trabajo. Para reducir su exposición a estos agentes químicos: trabaje en un área bien ventilada y trabaje con equipo de seguridad aprobado, como por ejemplo máscaras antipolvo que estén diseñadas especialmente para impedir mediante filtración el paso de partículas microscópicas.

Símbolos

Importante: Es posible que algunos de los símbolos siguientes se usen en su herramienta. Por favor, estúdielos y aprenda su significado. La interpretación adecuada de estos símbolos le permitirá utilizar la herramienta mejor y con más seguridad.

Símbolo	Nombre	Designación/explicación
V	Volt	Tensión (potencial)
A	Ampere	Corriente
Hz	Hertz	Frecuencia (ciclos por segundo)
W	Watt	Potencia
kg	Kilogramo	Peso
min	Minuto	Tiempo
s	Segundo	Tiempo
∅	Diámetro	Tamaño de las brocas taladradoras, muelas, etc.,
n_0	Velocidad sin carga	Velocidad rotacional sin carga
.../min	Revoluciones o alternación por minuto	Revoluciones, golpes, velocidad de superficie, órbitas, etc., por minuto
0	Posición "off" (apagado)	Velocidad cero, par motor cero...
1, 2, 3, ... I, II, III,	Graduaciones del selector	Graduaciones de velocidad, par motor o posición. Un número más alto significa mayor velocidad selector settings
	Selector infinitamente variable con apagado	La velocidad aumenta desde la graduación de 0
	Flecha	Acción en la dirección de la flecha
	Corriente alterna	Tipo o una característica de corriente
	Corriente continua	Tipo o una característica de corriente
	Corriente alterna o continua	Tipo o una característica de corriente
	Construcción de clase II	Designa las herramientas de construcción con aislamiento doble.
	Terminal de toma de tierra	Terminal de conexión a tierra
	Símbolo de advertencia	Alerta al usuario sobre mensajes de advertencia
	Sello RBRCTM de Ni-Cd	Designa el programa de reciclaje de baterías de Ni-Cd



Este símbolo indica que esta herramienta está catalogada por Underwriters Laboratories.



Este símbolo indica que Underwriters Laboratories ha catalogado esta herramienta indicando que cumple las normas canadienses.



Este símbolo indica que esta herramienta cumple con la norma mexicana oficial (NOM).



Este símbolo indica que esta herramienta está catalogada por la Canadian Standards Association.



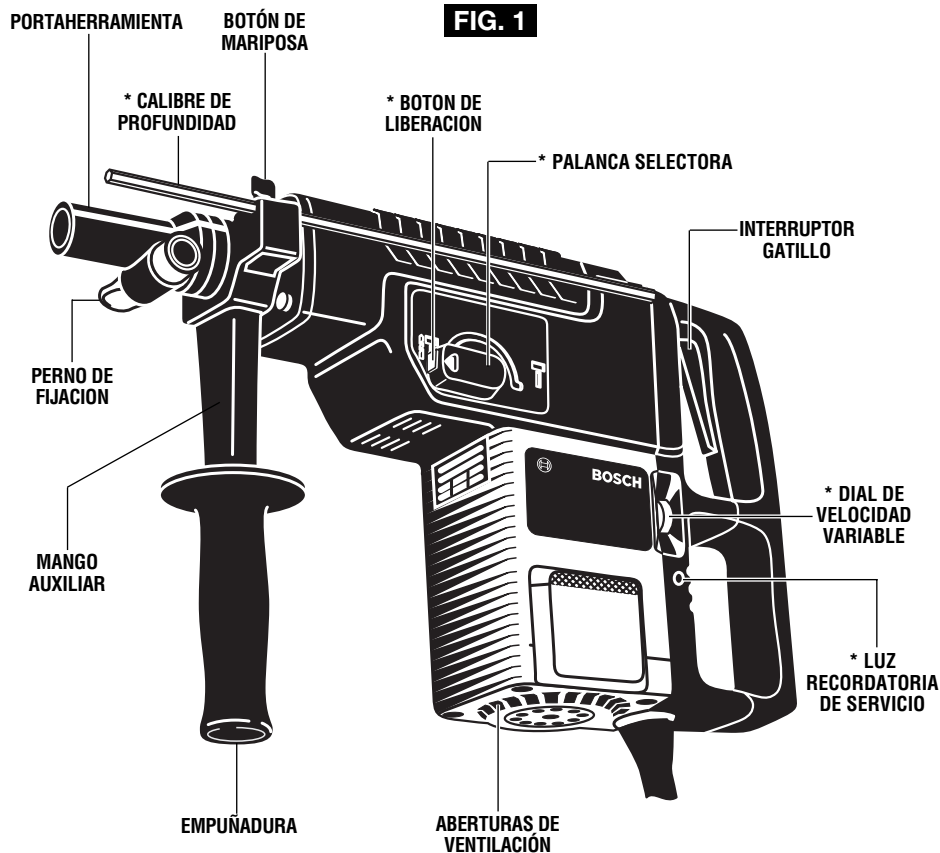
Este símbolo indica que esta herramienta está catalogada por Underwriters Laboratories y que Underwriters Laboratories la ha catalogado según las normas canadienses.

Descripción funcional y especificaciones

⚠ ADVERTENCIA Desconecte el enchufe de la fuente de energía antes de realizar cualquier ensamblaje o ajuste, o cambiar accesorios. Estas medidas de seguridad preventivas reducen el riesgo de arrancar la herramienta accidentalmente.

Martillo giratorio

FIG. 1



*** NO DISPONIBLE EN TODOS LOS MODELOS**

Número de modelo	11232EVS	11233EVS	11244E
Tensión nominal	120 V ~ 50 - 60Hz	120 V ~ 50 - 60Hz	120 V ~ 50 - 60Hz
Capacidad nominal en amperios	8,8 A	8,8 A	8,8 A
Velocidad sin carga	n_0 1 600-3 200/min	n_0 1 600-3 200/min	n_0 3 200/min

Capacidad máxima:

Brocas con punta de carburo	38 mm	38 mm	38 mm
Brocas para agujeros pasantes	64 mm	64 mm	64 mm
Brocas huecas de pared gruesa	89 mm	89 mm	89 mm

Instrucciones de funcionamiento

INTERRUPTOR GATILLO "ON/OFF" (DE ENCENDIDO Y APAGADO)

Para encender la herramienta (posición "ON"), apriete el interruptor gatillo. Para apagar la herramienta (posición "OFF"), suelte el interruptor gatillo que está accionado por resorte y volverá a la posición "OFF" automáticamente.

Para prolongar la vida del interruptor, no encienda ni apague el interruptor cuando la herramienta esté sometida a carga.

DIAL DE VELOCIDAD VARIABLE (Modelos 11232EVS & 11233EVS únicamente)

La herramienta está equipada con un dial de velocidad variable. La velocidad de percusión (GPM) y la velocidad de rotación (RPM) se pueden variar según el tipo de trabajo que se esté realizando colocando el dial de velocidad variable en la posición seleccionada. El cuadro que se presenta más adelante le ayudará a determinar qué posición utilizar para la aplicación que usted desea realizar. Sin embargo, una prueba previa determinará la mejor posición de velocidad, ya que el cuadro está proyectado únicamente para servir de guía. Una vez que se determina la posición adecuada, la velocidad de percusión y la velocidad de rotación son mantenidas constantes por medio de los "circuitos electrónicos de retroalimentación". El dial de velocidad variable puede ser ajustado mientras el motor está en marcha y la herramienta no está trabajando, permitiendo al operador ajustar la velocidad de percusión y la velocidad de rotación según la aplicación real.

Desbastado (Demolición)

Area de aplicación	Posición de control
Trabajo con escayola	1 - 2
Remoción de losetas	3
Trabajo con ladrillo	4
Hormigón	5 - 6

Perforación de agujeros

Velocidades más bajas	Velocidades más altas
Comienzos precisos Minimizar los escapes cuando la broca sale del materia.	Penetración más rápida

CIRCUITOS ELECTRONICOS DE RETROALIMENTACION (CER)

El sistema electrónico interno de retroalimentación proporciona un "arranque suave" que reducirá las

tensiones que se producen como consecuencia de un arranque de par motor alto. El sistema también ayuda a mantener la velocidad de percusión y la velocidad de rotación preseleccionadas prácticamente constantes entre la situación sin carga y la situación con carga.

INSTALACION DE ACCESORIOS

Limpie el extremo de inserción del cuerpo del accesorio para quitar los residuos que éste pueda tener y luego engráselo ligeramente con un aceite o lubricante ligero.

Tire del perno de fijación hacia afuera y gírelo 180°. Introduzca la espiga hexagonal en el portaherramienta, con el hueco de la espiga orientado hacia abajo. Vuelva a colocar el perno de fijación en la posición original. Tire del accesorio hacia afuera para asegurarse de que ha quedado fijo en el portaherramienta. (fig. 1).

NOTA: La alta eficiencia proporcionada por los martillos giratorios sólo se puede obtener si se utilizan accesorios afilados y sin daños. El "costo" de mantener accesorios afilados y sin daños es sobradamente compensado por el "tiempo que se ahorra" al hacer funcionar la herramienta con accesorios afilados.

REMOCION DE ACCESORIOS

Los accesorios pueden estar calientes después de la utilización. Evite el contacto con la piel y utilice guantes de protección o un paño protector adecuados para quitar dichos accesorios.

▲ ADVERTENCIA Para quitar un accesorio, invierta las instrucciones anteriores. Se deberán limpiar todos los accesorios después de quitarlos.

PALANCA SELECTORA (Modelo 11233EVS únicamente)

La palanca selectora permite ajustar la herramienta para las distintas aplicaciones según se muestra en el cuadro siguiente.

Al usar brocas de demoler o de desbastar, tales como brocas de punta rompedora, de cincel, de pala, de media caña, etc., se debe seleccionar el modo de "martillo solamente".

FIG. 2



Taladrado/martilleo:
utilizado para taladrar con brocas de carburo macizas y brocas huecas.



Martilleo únicamente:
utilizado para trabajo de desbastado y de demolición

EMBRAGUE DESLIZANTE

Esta herramienta está dotada con un embrague deslizante interno preajustado. El husillo de salida dejará de girar si el accesorio se atasca y sobrecarga la herramienta.

MANGO AUXILIAR

La herramienta se debe sujetar con el mango auxiliar, el cual se puede girar 360°. Para reposicionar y/o hacer girar el mango, afloje la empuñadura, mueva el mango hasta la posición deseada a lo largo del cuerpo cilíndrico y vuelva a apretar firmemente la empuñadura.

CALIBRE DE PROFUNDIDAD**(Modelos 11232EVS & 11233EVS únicamente)**

La profundidad de perforación se puede prefijar y/o repetir utilizando el calibre de profundidad.

Ajuste de profundidad: Después de instalar el mango auxiliar, deslice el calibre de profundidad hasta la profundidad deseada y apriete firmemente el botón de mariposa.

“CONSEJOS PARA LA HERRAMIENTA”

Para lograr las mejores velocidades de penetración en hormigón, haga funcionar la herramienta ejerciendo sobre ella una presión uniforme, pero no utilice demasiada fuerza, ya que esto reducirá la eficiencia de la herramienta.

Todos los martillos llenos de grasa requieren un corto período de tiempo para calentarse. Según la temperatura ambiente, este período podrá variar desde aproximadamente 15 segundos (90°F) hasta 2 minutos (32°F). Un martillo nuevo requiere un período de rodaje antes de poder funcionar a pleno rendimiento. Puede que este período requiera hasta 5 horas de funcionamiento.

Es probable que un martillo giratorio sea la herramienta portátil más cara de una obra en construcción. La gran resistencia al desgaste y el funcionamiento eficiente de los martillos BOSCH justificarán sobradamente el costo de las herramientas de este tipo. Tal como se ha indicado anteriormente, es necesario que los accesorios estén afilados y que las aberturas de ventilación estén limpias para que la herramienta funcione con eficacia. Establezca y siga un programa fijo de mantenimiento.

Mantenimiento

Servicio

⚠ ADVERTENCIA El mantenimiento preventivo realizado por personal no autorizado puede dar lugar a la colocación incorrecta de cables y componentes internos que podría constituir un peligro serio. Recomendamos que todo el servicio de las herramientas sea realizado por un Centro de servicio de fábrica Bosch o por una Estación de servicio Bosch autorizada.

LUZ RECORDATORIA DE SERVICIO

(Modelos 11232EVS & 11233EVS únicamente)

Cuando la luz recordatoria de servicio 8 se encienda o parpadee, esto indicará que las escobillas de carbón de desconexión apagarán la herramienta en aproximadamente horas. Después de ese período, la luz se apagará y la herramienta dejará de funcionar. En ese caso, la herramienta debe ser enviada a un centro de servicio para ser sometida a servicio de ajustes y reparaciones.

LUBRICACIÓN DE LAS HERRAMIENTAS

Su herramienta Bosch ha sido lubricada adecuadamente y está lista para la utilización. Se recomienda que las herramientas con engranajes se vuelvan a engrasar con un lubricante especial para engranajes en cada cambio de escobillas.

ESCOBILLAS DE CARBÓN

Las escobillas y el conmutador de la herramienta han sido diseñados para muchas horas de servicio fiable. Para mantener un rendimiento óptimo del motor,

recomendamos que cada dos a seis meses se examinen las escobillas. Sólo se deben usar escobillas de repuesto Bosch genuinas diseñadas específicamente para su herramienta.

RODAMIENTOS

Después de cada segundo cambio de escobillas, los rodamientos deben cambiarse en un Centro de servicio de fábrica Bosch o en una Estación de servicio Bosch autorizada. Los rodamientos que se vuelven ruidosos (debido a la pesada carga o al corte de materiales muy abrasivos) deben ser sustituidos inmediatamente para evitar el sobrecalentamiento o el fallo del motor.

Limpieza

⚠ ADVERTENCIA Para evitar accidentes desconecte siempre la herramienta de la fuente de energía antes de la limpieza o de la realización de cualquier mantenimiento. La herramienta se puede limpiar más eficazmente con aire comprimido seco. Use gafas de seguridad siempre que limpie herramientas con aire comprimido.

Las aberturas de ventilación y las palancas de interruptor deben mantenerse limpias y libres de materias extrañas. No intente limpiar introduciendo objetos puntiagudos a través de las aberturas.

⚠ PRECAUCION Ciertos agentes de limpieza y disolventes dañan las piezas de plástico. Algunos de estos son: gasolina, tetracloruro de carbono, disolventes de limpieza clorados, amoníaco y detergentes domésticos que contienen amoníaco.

Accesorios

⚠ ADVERTENCIA Si es necesario un cordón de extensión, se debe usar un cordón con conductores de tamaño adecuado que sea capaz de transportar la corriente necesaria para la herramienta. Esto evitará caídas de tensión excesivas, pérdida de potencia o recalentamiento. Las herramientas conectadas a tierra deben usar cordones de extensión de 3 hilos que tengan enchufes de 3 terminales y receptáculos para 3 terminales.

NOTA: Cuanto más pequeño es el número de calibre, más grueso es el cordón.

TAMAÑOS RECOMENDADOS DE CORDONES DE EXTENSION HERRAMIENTAS DE 120 V CORRIENTE ALTERNA

Capacidad nominal en amperes de la herramienta	Tamaño del cordón en A.W.G.				Tamaños del cable en mm ²			
	Longitud del cordón en pies				Longitud del cordón en metros			
	25	50	100	150	15	30	60	120
3-6	18	16	16	14	0,75	0,75	1,5	2,5
6-8	18	16	14	12	0,75	1,0	2,5	4,0
8-10	18	16	14	12	0,75	1,0	2,5	4,0
10-12	16	16	14	12	1,0	2,5	4,0	—
12-16	14	12	—	—	—	—	—	—

* Mango auxiliar

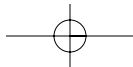
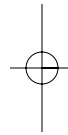
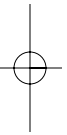
* Estuche de transporte

* Calibre de profundidad (11232EVS & 11233EVS únicamente)

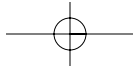
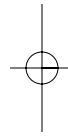
(* = equipo estándar)

(** = accesorios opcionales)

Notes:



Notes:



LIMITED WARRANTY OF BOSCH PORTABLE AND BENCHTOP POWER TOOLS

Robert Bosch Tool Corporation ("Seller") warrants to the original purchaser only, that all BOSCH portable and benchtop power tools will be free from defects in material or workmanship for a period of one year from date of purchase. SELLER'S SOLE OBLIGATION AND YOUR EXCLUSIVE REMEDY under this Limited Warranty and, to the extent permitted by law, any warranty or condition implied by law, shall be the repair or replacement of parts, without charge, which are defective in material or workmanship and which have not been misused, carelessly handled, or misrepaired by persons other than Seller or Authorized Service Station. To make a claim under this Limited Warranty, you must return the complete portable or benchtop power tool product, transportation prepaid, to any BOSCH Factory Service Center or Authorized Service Station. For Authorized BOSCH Power Tool Service Stations, please refer to your phone directory.

THIS LIMITED WARRANTY DOES NOT APPLY TO ACCESSORY ITEMS SUCH AS CIRCULAR SAW BLADES, DRILL BITS, ROUTER BITS, JIGSAW BLADES, SANDING BELTS, GRINDING WHEELS AND OTHER RELATED ITEMS.

ANY IMPLIED WARRANTIES SHALL BE LIMITED IN DURATION TO ONE YEAR FROM DATE OF PURCHASE. SOME STATES IN THE U.S., SOME CANADIAN PROVINCES DO NOT ALLOW LIMITATIONS ON HOW LONG AN IMPLIED WARRANTY LASTS, SO THE ABOVE LIMITATION MAY NOT APPLY TO YOU.

IN NO EVENT SHALL SELLER BE LIABLE FOR ANY INCIDENTAL OR CONSEQUENTIAL DAMAGES (INCLUDING BUT NOT LIMITED TO LIABILITY FOR LOSS OF PROFITS) ARISING FROM THE SALE OR USE OF THIS PRODUCT. SOME STATES IN THE U.S. AND SOME CANADIAN PROVINCES DO NOT ALLOW THE EXCLUSION OR LIMITATION OF INCIDENTAL OR CONSEQUENTIAL DAMAGES, SO THE ABOVE LIMITATION OR EXCLUSION MAY NOT APPLY TO YOU.

THIS LIMITED WARRANTY GIVES YOU SPECIFIC LEGAL RIGHTS, AND YOU MAY ALSO HAVE OTHER RIGHTS WHICH VARY FROM STATE TO STATE IN THE U.S., PROVINCE TO PROVINCE IN CANADA AND FROM COUNTRY TO COUNTRY.

THIS LIMITED WARRANTY APPLIES ONLY TO PORTABLE AND BENCHTOP ELECTRIC TOOLS SOLD WITHIN THE UNITED STATES OF AMERICA, CANADA AND THE COMMONWEALTH OF PUERTO RICO. FOR WARRANTY COVERAGE WITHIN OTHER COUNTRIES, CONTACT YOUR LOCAL BOSCH DEALER OR IMPORTER.

GARANTIE LIMITÉE DES OUTILS ÉLECTRIQUES PORTATIFS ET D'ÉTABLI BOSCH

Robert Bosch Tool Corporation (le « vendeur ») garantit à l'acheteur initial seulement que tous les outils électriques portatifs et d'établi BOSCH seront exempts de vices de matériaux ou d'exécution pendant une période d'un an depuis la date d'achat. LA SEULE OBLIGATION DU VENDEUR ET LE SEUL RECOURS DE L'ACHETEUR sous la présente garantie limitée, et en autant que la loi le permette sous toute garantie ou condition implicite qui en découlerait, sera l'obligation de remplacer ou réparer gratuitement les pièces défectueuses matériellement ou comme fabrication, pourvu que lesdites défectosités ne soient pas attribuables à un usage abusif ou à quelque réparation bricolée par quelqu'un d'autre que le vendeur ou le personnel d'une station-service agréée. Pour présenter une réclamation en vertu de cette garantie limitée, vous devez renvoyer l'outil électrique portatif ou d'établi complet, port payé, à tout centre de service agréé ou centre de service usine. Veuillez consulter votre annuaire téléphonique pour les adresses.

LA PRÉSENTE GARANTIE NE S'APPLIQUE PAS AUX ACCESSOIRES TELS QUE LAMES DE SCIES CIRCULAIRES, MÊCHES DE PERCEUSES, FERS DE TOUPIES, LAMES DE SCIES SAUTEUSES, COURROIES DE PONÇAGE, MEULES ET AUTRES ARTICLES DU GENRE.

TOUTE GARANTIE IMPLICITE SERA LIMITÉE COMME DURÉE À UN AN À COMPTER DE LA DATE D'ACHAT. CERTAINS ÉTATS AMÉRICAINS, CERTAINES PROVINCES CANADIENNES N'ADMETTANT PAS LE PRINCIPE DE LA LIMITATION DE LA DURÉE DES GARANTIES IMPLICITES, IL EST POSSIBLE QUE LES LIMITATIONS CI-DESSUS NE S'APPLIQUENT PAS À VOTRE CAS.

EN AUCUN CAS LE VENDEUR NE SAURAIT ÊTRE TENU POUR RESPONSABLE DES INCIDENTS OU DOMMAGES INDIRECTS (INCLUANT, MAIS NE SE LIMITANT PAS AUX PERTES DE PROFITS) CONSÉQUENTS À LA VENTE OU L'USAGE DE CE PRODUIT. CERTAINS ÉTATS AMÉRICAINS ET CERTAINES PROVINCES CANADIENNES N'ADMETTANT PAS LE PRINCIPE DE LA LIMITATION NI L'EXCLUSION DES DOMMAGES INDIRECTS ET CONSÉQUENTIELS, IL EST POSSIBLE QUE LES LIMITATIONS OU EXCLUSIONS CI-DESSUS NE S'APPLIQUENT PAS À VOTRE CAS.

LA PRÉSENTE GARANTIE VOUS ACCORDE DES DROITS BIEN DÉTERMINÉS, Y COMPRIS POSSIBLEMENT CERTAINS DROITS VARIABLES DANS LES DIFFÉRENTS ÉTATS AMÉRICAINS, PROVINCES CANADIENNES.

CETTE GARANTIE LIMITÉE NE S'APPLIQUE QU'AUX OUTILS ÉLECTRIQUES PORTATIFS ET D'ÉTABLI VENDUS AUX ÉTATS-UNIS D'AMÉRIQUE, AU CANADA ET AU COMMONWEALTH DE PORTO RICO. POUR COUVERTURE DE GARANTIE DANS LES AUTRES PAYS, CONTACTEZ VOTRE IMPORTATEUR OU REVENDEUR BOSCH LOCAL.

GARANTIA LIMITADA PARA HERRAMIENTAS MECANICAS PORTATILES Y PARA TABLERO DE BANCO BOSCH

Robert Bosch Tool Corporation ("el Vendedor") garantiza, únicamente al comprador original, que todas las herramientas mecánicas portátiles y para tablero de banco BOSCH estarán libres de defectos de material o de fabricación durante un período de un año a partir de la fecha de compra. LA ÚNICA OBLIGACION DEL VENDEDOR Y EL RECURSO EXCLUSIVO QUE USTED TIENE bajo esta Garantía Limitada y, hasta donde la ley lo permita, bajo cualquier garantía o condición implícita por ley, consistirá en la reparación o sustitución sin costo de las piezas que presenten defectos de material o de fabricación y que no hayan sido utilizadas incorrectamente, manejadas descuidadamente o reparadas incorrectamente por personas que no sean el Vendedor o una Estación de servicio autorizada. Para efectuar una reclamación bajo esta Garantía Limitada, usted debe devolver el producto, que consiste en la herramienta mecánica portátil o para tablero de banco completa, con el transporte pagado, a cualquier Centro de servicio de fábrica o Estación de servicio autorizada. Para Estaciones de servicio autorizadas de herramientas mecánicas BOSCH, por favor, consulte el directorio telefónico.

ESTA GARANTIA LIMITADA NO SE APLICA A ARTICULOS ACCESORIOS TALES COMO HOJAS PARA SIERRAS CIRCULARES, BROCAS PARA TALADROS, BROCAS PARA FRESADORAS, HOJAS PARA SIERRAS DE VAIVEN, CORREAS PARA LIJAR, RUEDAS DE AMOLAR Y OTROS ARTICULOS RELACIONADOS.

TODAS LAS GARANTIAS IMPLICITAS TENDRAN UNA DURACION LIMITADA A UN AÑO A PARTIR DE LA FECHA DE COMPRA. ALGUNOS ESTADOS DE LOS EE.UU., ALGUNAS PROVINCIAS CANADIENSES NO PERMITEN LIMITACIONES EN CUANTO A LA DURACION DE UNA GARANTIA IMPLICITA, POR LO QUE ES POSIBLE QUE LA LIMITACION ANTERIOR NO SEA APLICABLE EN EL CASO DE USTED.

EL VENDEDOR NO SERA RESPONSABLE EN NINGUN CASO DE NINGUN DAÑO INCIDENTAL O EMERGENTE (INCLUYENDO PERO NO LIMITADO A RESPONSABILIDAD POR PERDIDA DE BENEFICIOS) QUE SE PRODUZCA COMO CONSECUENCIA DE LA VENTA O UTILIZACION DE ESTE PRODUCTO. ALGUNOS ESTADOS DE LOS EE.UU. Y ALGUNAS PROVINCIAS CANADIENSES NO PERMITEN LA EXCLUSION O LIMITACION DE LOS DAÑOS INCIDENTALES O EMERGENTES, POR LO QUE ES POSIBLE QUE LA LIMITACION O EXCLUSION ANTERIOR NO SEA APLICABLE EN EL CASO DE USTED.

ESTA GARANTIA LIMITADA LE CONFIERE A USTED DERECHOS LEGALES ESPECIFICOS Y ES POSIBLE QUE USTED TAMBIEN TENGA OTROS DERECHOS QUE VARIAN DE ESTADO A ESTADO EN LOS EE.UU., DE PROVINCIA A PROVINCIA EN CANADA.

ESTA GARANTIA LIMITADA SE APLICA SOLAMENTE A HERRAMIENTAS ELECTRICAS PORTATILES Y PARA TABLERO DE BANCO VENDIDAS EN LOS ESTADOS UNIDOS DE AMERICA, CANADA Y EL ESTADO LIBRE ASOCIADO DE PUERTO RICO. PARA COBERTURA DE GARANTIA EN OTROS PAISES, PONGASE EN CONTACTO CON SU DISTRIBUIDOR O IMPORTADOR LOCAL DE BOSCH.

© Robert Bosch Tool Corporation 1800 W. Central Road Mt. Prospect, IL 60056 -2230

Exportado por: Robert Bosch Tool Corporation Mt. Prospect, IL 60056 -2230, E.U.A.

Importado en México por: Robert Bosch, S.A. de C.V., Calle Robert Bosch No. 405, Zona Industrial, Toluca, Edo. de México, C.P. 50070, Tel. (722) 2792300