

**IMPORTANT:**  
Read Before Using

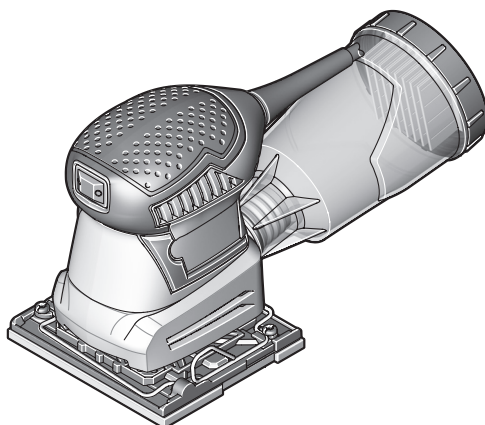
**IMPORTANT :**  
Lire avant usage

**IMPORTANTE:**  
Leer antes de usar



**Operating/Safety Instructions**  
**Consignes de sécurité/d'utilisation**  
**Instrucciones de funcionamiento y seguridad**

**GSS20-40**



**BOSCH**

**Call Toll Free for Consumer Information and Service Locations**

**Pour obtenir des informations et les adresses de nos centres de service après-vente, appelez ce numéro gratuit**  
**Llame gratis para obtener información para el consumidor y ubicaciones de servicio**

**1-877-BOSCH99 (1-877-267-2499) [www.boschtools.com](http://www.boschtools.com)**





**For English Version**  
**See page 2**

**Version française**  
**Voir page 13**

**Versión en español**  
**Ver la página 24**

## Safety Symbols

The definitions below describe the level of severity for each signal word. Please read the manual and pay attention to these symbols.

	This is the safety alert symbol. It is used to alert you to potential personal injury hazards. Obey all safety messages that follow this symbol to avoid possible injury or death.
	DANGER indicates a hazardous situation which, if not avoided, will result in death or serious injury.
	WARNING indicates a hazardous situation which, if not avoided, could result in death or serious injury.
	CAUTION indicates a hazardous situation which, if not avoided, could result in minor or moderate injury.

## General Power Tool Safety Warnings

**WARNING** Read all safety warnings, instructions, illustrations and specifications provided with this power tool. Failure to follow all instructions listed below may result in electric shock, fire and/or serious injury.

### SAVE ALL WARNINGS AND INSTRUCTIONS FOR FUTURE REFERENCE

The term “power tool” in the warnings refers to your mains-operated (corded) power tool or battery-operated (cordless) power tool.

### Work area safety

**Keep work area clean and well lit.** Cluttered or dark areas invite accidents.

**Do not operate power tools in explosive atmospheres, such as in the presence of flammable liquids, gases or dust.** Power tools create sparks which may ignite the dust or fumes.

**Keep children and bystanders away while operating a power tool.** Distractions can cause you to lose control.

### Electrical safety

**Power tool plugs must match the outlet. Never modify the plug in any way. Do not use any adapter plugs with earthed (grounded) power tools.** Unmodified plugs and matching outlets will reduce risk of electric shock.

**Avoid body contact with earthed or grounded surfaces, such as pipes, radiators, ranges and refrigerators.** There is an increased risk of electric shock if your body is earthed or grounded.

**Do not expose power tools to rain or wet conditions.** Water entering a power tool will increase the risk of electric shock.

**Do not abuse the cord. Never use the cord for carrying, pulling or unplugging the power tool. Keep cord away from heat, oil, sharp edges or moving parts.** Damaged or entangled cords increase the risk of electric shock.

**When operating a power tool outdoors, use an extension cord suitable for outdoor use.** Use of a cord suitable for outdoor use reduces the risk of electric shock.

**If operating a power tool in a damp location is unavoidable, use a Ground Fault Circuit Interrupter (GFCI) protected supply.** Use of an GFCI reduces the risk of electric shock.

### Personal safety

**Stay alert, watch what you are doing and use common sense when operating a power tool. Do not use a power tool while you are tired or under the influence of drugs, alcohol or medication.** A moment of inattention while operating power tools may result in serious personal injury.

**Use personal protective equipment. Always wear eye protection.** Protective equipment such as dust mask, non-skid safety shoes, hard hat, or hearing protection used

for appropriate conditions will reduce personal injuries.

**Prevent unintentional starting. Ensure the switch is in the off-position before connecting to power source and / or battery pack, picking up or carrying the tool.** Carrying power tools with your finger on the switch or energizing power tools that have the switch on invites accidents.

**Remove any adjusting key or wrench before turning the power tool on.** A wrench or a key left attached to a rotating part of the power tool may result in personal injury.

**Do not overreach. Keep proper footing and balance at all times.** This enables better control of the power tool in unexpected situations.

**Dress properly. Do not wear loose clothing or jewelry. Keep your hair, clothing and gloves away from moving parts.** Loose clothes, jewelry or long hair can be caught in moving parts.

**If devices are provided for the connection of dust extraction and collection facilities, ensure these are connected and properly used.** Use of dust collection can reduce dust-related hazards.

**Do not let familiarity gained from frequent use of tools allow you to become complacent and ignore tool safety principles.** A careless action can cause severe injury within a fraction of a second.

### **Power tool use and care**

**Do not force the power tool. Use the correct power tool for your application.** The correct power tool will do the job better and safer at the rate for which it was designed.

**Do not use the power tool if the switch does not turn it on and off.** Any power tool that cannot be controlled with the switch is dangerous and must be repaired.

**Disconnect the plug from the power source and/or remove the battery pack, if detachable, from the power tool before making any adjustments, changing accessories, or**

**storing power tools.** Such preventive safety measures reduce the risk of starting the power tool accidentally.

**Store idle power tools out of the reach of children and do not allow persons unfamiliar with the power tool or these instructions to operate the power tool.** Power tools are dangerous in the hands of untrained users.

**Maintain power tools and accessories. Check for misalignment or binding of moving parts, breakage of parts and any other condition that may affect the power tool's operation. If damaged, have the power tool repaired before use.** Many accidents are caused by poorly maintained power tools.

**Keep cutting tools sharp and clean.** Properly maintained cutting tools with sharp cutting edges are less likely to bind and are easier to control.

**Use the power tool, accessories and tool bits etc. in accordance with these instructions, taking into account the working conditions and the work to be performed.** Use of the power tool for operations different from those intended could result in a hazardous situation.

**Keep handles and grasping surfaces dry, clean and free from oil and grease.** Slippery handles and grasping surfaces do not allow for safe handling and control of the tool in unexpected situations.

### **Service**

**Have your power tool serviced by a qualified repair person using only identical replacement parts.** This will ensure that the safety of the power tool is maintained.

## Safety Rules for Orbital Sanders

**Unplug the sander before changing accessories.** Accidental start-ups may occur if sander is plugged in while changing an accessory.

**Use clamps or other practical way to secure and support the workpiece to a stable platform.** Holding the work by hand or against your body is unstable and may lead to loss of control.

**Your tool is equipped with a dust canister; empty it frequently after completion of sanding and before storing the sander.** Be extremely careful of dust disposal, materials in fine particle form may be explosive. Do not throw sanding dust on an open fire. Combustion from mixture of varnishes, lacquers, polyurethane, oil or water with dust particles can occur if there is a static discharge, spark introduced in the box, or excessive heat.

**Always wear eye and respiratory protection for dusty applications and when sanding overhead.** Sanding particles can be ab-

sorbed by your eyes and inhaled easily and may cause health complications.

**Use special precautions when sanding chemically pressure treated lumber, paint that may be lead based, or any other materials that may contain carcinogens.** A suitable breathing respirator and protective clothing must be worn by all persons entering the work area. Work area should be sealed by plastic sheeting and persons not protected should be kept out until work area is thoroughly cleaned.

**Do not wet sand with this sander.** Liquid entering the motor housing is an electrical shock hazard.

**Do not use sandpaper intended for larger sanding pads.** Larger sandpaper will extend beyond the sanding pad causing snagging, tearing of the paper or kick-back. Extra paper extending beyond the sanding pad can also cause serious lacerations.

## Additional Safety Warnings

GFCI and personal protection devices like electrician's rubber gloves and footwear will further enhance your personal safety.

**Do not use AC only rated tools with a DC power supply.** While the tool may appear to work, the electrical components of the AC rated tool are likely to fail and create a hazard to the operator.

**Develop a periodic maintenance schedule for your tool. When cleaning a tool be careful not to disassemble any portion of the tool since internal wires may be misplaced or pinched or safety guard return springs may be improperly mounted.** Certain cleaning agents such as gasoline, carbon tetrachloride, ammonia, etc. may damage plastic parts.

**Ensure the switch is in the off position before inserting battery pack.** Inserting the battery pack into power tools that have the switch on invites accidents.












**⚠ WARNING** Some dust created by power sanding, sawing, grinding, drilling, and other construction activities contains chemicals known to cause cancer, birth defects or other reproductive harm. Some examples of these chemicals are:

- Lead from lead-based paints,
- Crystalline silica from bricks and cement and other masonry products, and
- Arsenic and chromium from chemically-treated lumber.

Your risk from these exposures varies, depending on how often you do this type of work. To reduce your exposure to these chemicals: work in a well ventilated area, and work with approved safety equipment, such as those dust masks that are specially designed to filter out microscopic particles.

## Symbols

**IMPORTANT:** Some of the following symbols may be used on your tool. Please study them and learn their meaning. Proper interpretation of these symbols will allow you to operate the tool better and safer.

Symbol	Name	Designation/Explanation
V	Volts	Voltage (potential)
A	Amperes	Current
Hz	Hertz	Frequency (cycles per second)
W	Watt	Power
kg	Kilograms	Weight
min	Minutes	Time
s	Seconds	Time
∅	Diameter	Size of drill bits, grinding wheels, etc.
$n_0$	No load speed	Rotational speed, at no load
n	Rated speed	Maximum attainable speed
.../min	Revolutions or reciprocation per minute	Revolutions, strokes, surface speed, orbits etc. per minute
0	Off position	Zero speed, zero torque...
1, 2, 3, ... I, II, III,	Selector settings	Speed, torque or position settings. Higher number means greater speed
	Infinitely variable selector with off	Speed is increasing from 0 setting
	Arrow	Action in the direction of arrow
	Alternating current	Type or a characteristic of current
	Direct current	Type or a characteristic of current
	Alternating or direct current	Type or a characteristic of current
	Class II construction	Designates Double Insulated Construction tools.
	Earthing terminal	Grounding terminal
	Li-ion RBRC seal	Designates Li-ion battery recycling program
	Ni-Cad RBRC seal	Designates Ni-Cad battery recycling program
	Read manual symbol	Alerts user to read manual
	Wear eye protection symbol	Alerts user to wear eye protection

## Symbols (continued)

**IMPORTANT:** Some of the following symbols may be used on your tool. Please study them and learn their meaning. Proper interpretation of these symbols will allow you to operate the tool better and safer.



This symbol designates that this tool is listed by Underwriters Laboratories.



This symbol designates that this component is recognized by Underwriters Laboratories.



This symbol designates that this tool is listed by Underwriters Laboratories, to United States and Canadian Standards.



This symbol designates that this tool is listed by the Canadian Standards Association.



This symbol designates that this tool is listed by the Canadian Standards Association, to United States and Canadian Standards.



This symbol designates that this tool is listed by the Intertek Testing Services, to United States and Canadian Standards.



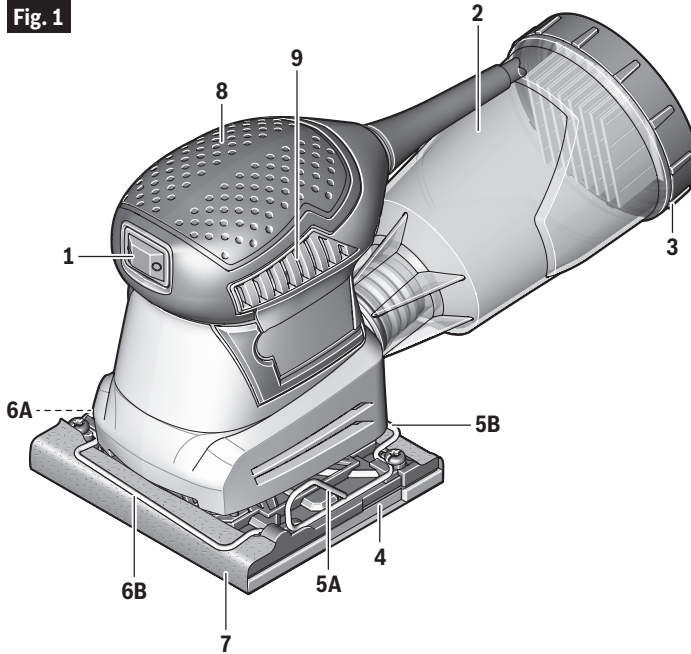
This symbol designates that this tool complies to NOM Mexican Standards.

## Functional Description and Specifications

**⚠ WARNING** Disconnect the plug from the power source before making any assembly, adjustments or changing accessories. Such preventive safety measures reduce the risk of starting the tool accidentally.

### Orbital Sander

Fig. 1



- |    |                       |    |                        |
|----|-----------------------|----|------------------------|
| 1  | Dust-sealed switch    | 6A | Front clamp lever      |
| 2  | Dust canister         | 6B | Front clamping bracket |
| 3  | Microfilter           | 7  | Sanding sheet          |
| 4  | Sanding pad           | 8  | Soft-grip area         |
| 5A | Rear clamp lever      | 9  | Ventilation openings   |
| 5B | Rear clamping bracket |    |                        |

Model number

**GSS20-40**

Pad Size:

4 1/2" x 4 1/8" (1/4 sheet)

Regular Sanding Sheet:

4 1/2" x 5 1/2"

PSA (Stick-On) Sanding Sheet:

4 1/2" x 4 1/2"

**NOTE:** For tool specifications refer to the nameplate on your tool.

## Assembly

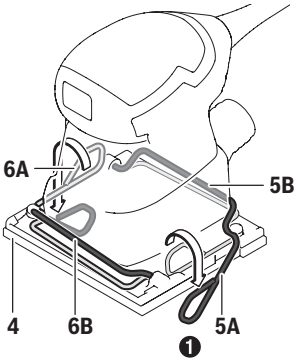
**⚠ WARNING** Always disconnect the plug from the power source before attaching or removing sanding sheets.

### ATTACHING SANDING SHEETS

When attaching a new sanding sheet, remove any dust or debris from the sanding pad 4 (e. g. with a brush).

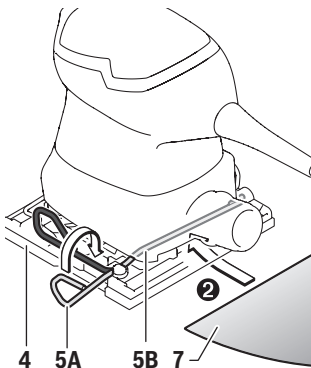
1. Unlock both sanding-sheet clamp levers 5A and 6A and swivel them downwards (Fig. 2).

Fig. 2



2. Insert the sanding sheet 7 under the rear clamping bracket 5B. Ensure that the sanding sheet 7 is not too short to be correctly clamped under clamping brackets 5A and 5B. Swivel the sanding sheet clamp lever 5A back into the starting position and lock it there (Fig. 3).

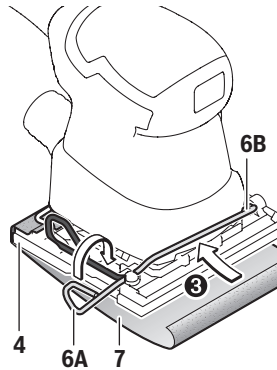
Fig. 3



3. Place the sanding sheet taut around the sanding pad 4. Clamp the front part of the sanding sheet under the front clamping bracket 6B. Ensure that the sanding sheet 7 is not too short and that it is correctly

clamped. Swivel the sanding-sheet clamping lever 6A back into the starting position and lock it there (Fig. 4).

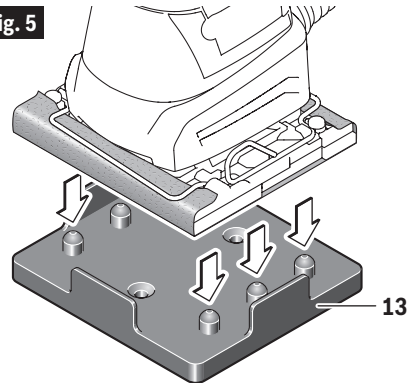
Fig. 4



### PUNCH PLATE

After the sanding sheet has been installed, it will be necessary to punch holes into the sheet using the punch plate provided with your sander. Align sander base with punch plate and push down on sander until punch plate pierces the sheet. Then remove punch plate from sander (Fig. 5)

Fig. 5



To ensure optimum dust extraction, pay attention that the punched holes in the sanding sheet match with the holes in the sanding plate.

### REMOVING SANDING SHEETS

To remove the sanding sheet 7, unlock both sanding-sheet clamp levers 5A and 6A and pull the sanding sheet out of its holder.



## ATTACHING PSA “STICK-ON” SANDING SHEETS

Your sander can also be used with PSA-backed “stick-on” sanding sheets (sandpaper), which have pressure sensitive adhesive.

1. Peel protective sheet from the back of PSA sheet.
2. Align PSA sheet with backing pad and press firmly in place.

### Notes:

- Make sure that clamp levers are latched, even when PSA sanding sheets are used.

- Remove PSA sheets soon after completing each sanding operation in order to prevent the adhesive from creating a hardened bond with the backing pad.

## REMOVING PSA SANDING SHEETS

**CAUTION** Attempting to remove a cold PSA sanding sheet from pad will likely damage the backing pad.

If PSA paper is accidentally left on the pad, sand for a few minutes to soften the adhesive backing, then lift an edge of the PSA sheets with your fingernail and peel it off the backing pad.

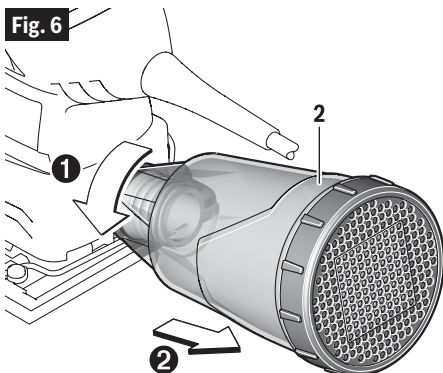
## Dust Collection

**MICROFILTER DUST CANISTER** — The integral dust extraction system collects sanding dust in canister supplied with your sander. For maximum efficiency, the dust canister should be emptied frequently during operation.

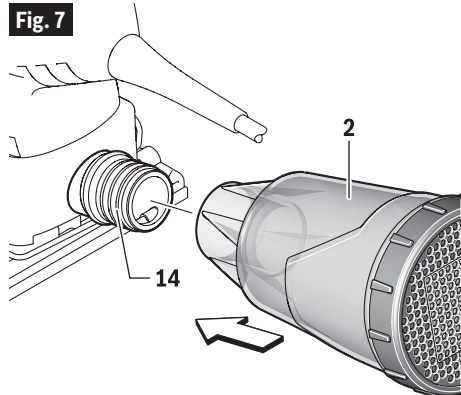
**WARNING** Your tool is equipped with a dust canister; empty it frequently after completion of sanding and before storing the sander. Be extremely careful of dust disposal, materials in fine particle form may be explosive. Do not throw sanding dust on an open fire. Combustion from mixture of varnishes, lacquers, polyurethane, oil or water with dust particles can occur if there is a static discharge, spark introduced in the box, or excessive heat. Do not mix collected dust with paint or varnish, or use it to absorb or dry liquid chemicals.

## REMOVING AND INSTALLING DUST CANISTER

To remove dust canister: rotate dust canister **2** while pulling it away from the tool (Fig. 6).



To install dust canister: align dust port **14** with hole in canister **2** and push canister onto tool until it locks into place (Fig. 7).



## CLEANING AND EMPTYING THE DUST CANISTER

The dust canister is transparent which will allow you to easily see when emptying and cleaning is required.

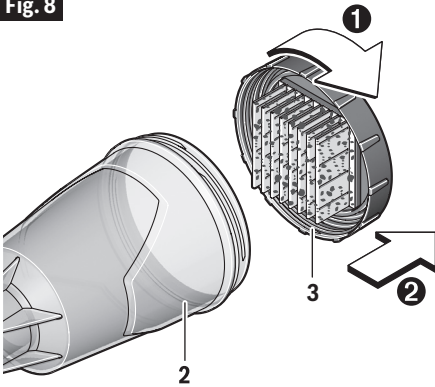
To empty the dust canister: screw off and remove microfilter **3** from the dust canister **2** (Fig. 8).

Empty dust canister **2**. It is recommended to loosen dust from the microfilter **3** by gently striking it against a solid surface (Fig. 9).

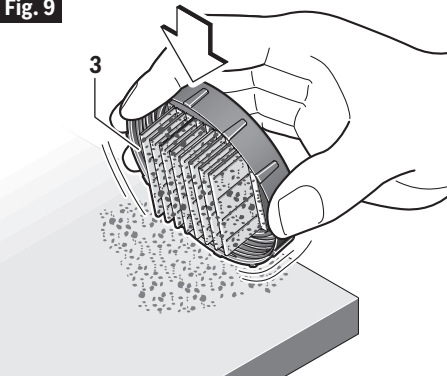
Knock excess dust out of the microfilter, or remove dust with your fingers or a soft brush.

You may notice that all the dust may not come out of the canister. This will not affect sanding performance but will reduce dust collection efficiency.

**Fig. 8**



**Fig. 9**



**Note:** Do not wash the microfilter with soap and water. Dust may become more firmly lodged in the pores, which will reduce dust collection, and damage the micro filter.

To ensure optimum dust extraction, empty and clean the canister and microfilter frequently.

### ATTACHING A VACUUM CLEANER

Dust collection can also be achieved by attaching the tool to a vacuum cleaner / dust

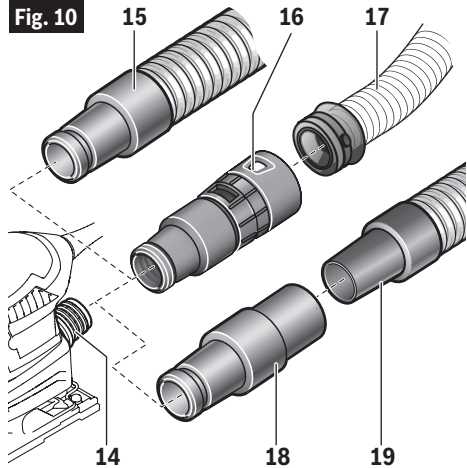
extractor, hose and adapter, if necessary (all sold separately).

1. Attach the hose to the vacuum cleaner / dust extractor.
2. Attach the hose to the tool's dust port **14** in one of the following ways (Fig. 10):
  - Bosch VH-series hoses **17** - The VX120 hose adapter **16** is required (included with VH-series hoses).
  - Other 35mm and 22mm hoses **15**, such as the Bosch VAC-series hoses - Connect hose directly to the tool.
  - Common 1-1/4" or 1-1/2" hoses **19** - The Bosch VAC024 adapter **18** is required.

When vacuuming dry dust that is especially detrimental to health or may be carcinogenic, use a vacuum cleaner that is specifically designed for that purpose.

When sanding on vertical surfaces, hold the power tool in such a manner that the vacuum hose faces downward.

**Fig. 10**



## Operating Instructions

### ROCKER "ON/OFF" SWITCH

**To turn the tool ON or OFF:** Push IN the switch rocker to the left or right side of the tool. Always hold the sander off the work when turning the switch ON or OFF.

See START OF SANDING on page 11.

### SANDING SHEETS (SANDPAPER)

Aluminum oxide, silicon carbide, or other syn-

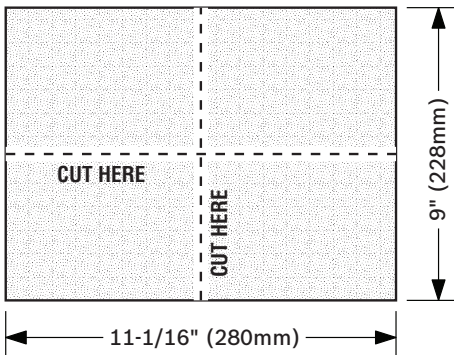
thetic abrasives are recommended for power sanding use. Natural abrasives, such as flint or garnet sheet are too soft for economical use in power sanding. For best results, use Bosch sanding sheets: The uniform spacing between grains minimizes filling or loading. The high quality aluminum oxide sheet with heavy backing cuts faster and lasts longer.

The following are recommended sanding sheets and applications:

	Applications	Grit
Wood	For preliminary sanding of rough wood, unplaned boards.	Coarse 40, 60
	For mid-stage sanding and smoothing of small irregularities.	Medium 80, 100, 120
	For finish and fine sanding speed and sanding sheet (sandpaper).	Fine 180, 240, 320, 400
Paint/enamels and primers, and fillers	For removing paint.	Coarse 40, 60
	For sanding primer.	Medium 80, 100, 120
	For final sanding of primers between coats.	Fine 180, 240, 320

Sanding sheets can be purchased pre-sized or can be conveniently cut from large-size commercially available sheets (standard size: 9" x 11-1/16" or 228 x 280 mm). Cut into four pieces of equal size as shown (Fig. 11). Choose the proper grit for the job.

**Fig. 11**



### START OF SANDING

With the workpiece firmly secured, first place the sander's pad on the work surface, then switch the tool on.

DO NOT start the tool and bring it up to speed before applying to the work

DO NOT apply excessive pressure when switch the tool on (or at any other time)

Either method will likely create swirl marks.

Applying excessive pressure upon start-up will also shorten the life of the switch

### SANDING TIPS

Bosch orbital sanders are designed to pro-

duce exceptional finishes on wood surfaces, speed stock removal, or to remove lacquer, varnish, and other coated finishes.

Orbital sanding provides fast, smooth final finishes. And this model can sand flush on all three sides of the tool to get in tight places typical of cabinets, desks and shelving.

- This sander's even weight distribution and the prevention of sanding sheet slippage by the clamping system virtually eliminate any benefit from pressing on the sander. Excessive pressure to the sander may result in an uneven sanding job and premature grit wear. Constant and excessive pressure can cause overheating and possible damage to the motor, as well as premature wear out of the pad.
- It's usually best to work in strokes that parallel the grain, using some lateral motion so the main strokes are overlapped as much as 75%.
- If the surface is rough, start sanding with a coarse grit, then medium, and then finish with a fine or extra-fine grit. This procedure will vary with different types of materials and work.
- Continue to sand with each grit until the surface looks uniform.
- When going from one grit size to a finer size, do not skip more than two grit sizes.
- To remove the greatest amount of stock, use a coarse grit and move the sander steadily over the entire surface against the grain as well as with the grain. DO NOT REMAIN IN ONE SPOT TOO LONG. It may remove too much material and uneven sanding will result.
- Sanding with the grain of the wood gives the smoothest final finish.

### REMOVING THE SANDER

Remove the sander from the work before turning the switch "OFF". Operating in this manner will prolong switch and motor life and will greatly increase the quality of your work.

### STORING THE SANDER

Do not store tool with PSA sanding sheets on pad, as sanding creates heat, which will cause an adhesive bond between the sheet and the pad to harden when sheet and pad cool down. (See REMOVING PSA SANDING SHEETS on page 9.)

## Maintenance

### SERVICE

**⚠ WARNING** NO USER SERVICE-ABLE PARTS INSIDE. Preventive maintenance performed by unauthorized personnel may result in misplacing of internal wires and components which could cause serious hazard. We recommend that all tool service be performed by a Bosch Factory Service Center or Authorized Bosch Service Station. **SERVICEMEN:** Disconnect tool and/or charger from power source before servicing.

### TOOL LUBRICATION

Your Bosch tool has been properly lubricated and is ready for use. It is recommended that tools with gears be regreased with a special gear lubricant at every brush change.

### CARBON BRUSHES

The brushes and commutator in your tool have been engineered for many hours of dependable service. To maintain peak efficiency of the motor, we recommend every two to six months the brushes be examined. Only genu-

ine Bosch replacement brushes specially designed for your tool should be used.

### BEARINGS

Bearings which become noisy (due to heavy load or very abrasive material cutting) should be replaced at once to avoid overheating or motor failure.

### CLEANING

**⚠ WARNING** To avoid accidents, always disconnect the tool and/or charger from the power supply before cleaning.

Ventilation openings and switch levers must be kept clean and free of foreign matter. Do not attempt to clean by inserting pointed objects through opening.

**⚠ CAUTION** Certain cleaning agents and solvents damage plastic parts. Some of these are: gasoline, carbon tetrachloride, chlorinated cleaning solvents, ammonia and household detergents that contain ammonia.

## Extension Cords

**⚠ WARNING** If an extension cord is necessary, a cord with adequate size conductors that is capable of carrying the current necessary for your tool must be used. This will prevent excessive voltage drop, loss of power or overheating. Grounded tools must use 3-wire extension cords that have 3-prong plugs and receptacles.

### RECOMMENDED SIZES OF EXTENSION CORDS 120 VOLT ALTERNATING CURRENT TOOLS

Tool's Ampere Rating	Cord Size in A.W.G.				Wire Sizes in mm <sup>2</sup>			
	Cord length in feet				Cord length in Meters			
	25	50	100	150	15	30	60	120
3-6	18	16	16	14	0.75	0.75	1.5	2.5
6-8	18	16	14	12	0.75	1.0	2.5	4.0
8-10	18	16	14	12	0.75	1.0	2.5	4.0
10-12	16	16	14	12	1.0	2.5	4.0	—
12-16	14	12	—	—	—	—	—	—




NOTE: The smaller the gauge number, the heavier the cord.

## Accessories and Attachments

Included	Available separately
Dust canister Sanding sheet Sanding sheet punch-plate	VAC024 Vacuum hose adaptor Vacuum hoses

## Symboles relatifs à la sécurité

Les définitions ci-dessous décrivent le niveau de gravité pour chaque terme signalant un danger. Veuillez lire le mode d'emploi et lire la signification de ces symboles.

	C'est le symbole d'alerte relatif à la sécurité. Il est utilisé pour vous avertir de l'existence possible d'un danger de lésion corporelle. Obéissez à tous les messages relatifs à la sécurité qui suivent ce symbole pour éviter tout risque de blessure ou même de mort.
	DANGER indique une situation dangereuse qui, si elle n'est pas évitée, causera la mort d'une personne ou une blessure grave.
	AVERTISSEMENT indique une situation dangereuse qui, si elle n'est pas évitée, pourrait causer la mort d'une personne ou une blessure grave.
	MISE EN GARDE indique une situation dangereuse qui, si elle n'est pas évitée, causera une blessure légère ou modérée.

## Avertissements généraux concernant la sécurité des outils électroportatifs

**AVERTISSEMENT** Lisez toutes les consignes de sécurité, instructions, illustrations et spécifications fournies avec cet outil électrique. Le non-respect de toutes les instructions figurant ci-après pourrait causer un choc électrique, un incendie et/ou des blessures graves.

**CONSERVEZ TOUS LES AVERTISSEMENTS ET TOUTES LES CONSIGNES DE SÉCURITÉ POUR RÉFÉRENCE FUTURE.**

Dans les avertissements, le terme « outil électroportatif » se rapporte à votre outil branché sur le secteur (avec fil) ou à votre outil alimenté par piles (sans fil).

### Sécurité du lieu de travail

**Maintenez le lieu de travail propre et bien éclairé.**

Les risques d'accident sont plus élevés quand on travaille dans un endroit encombré ou sombre.

**N'utilisez pas d'outils électroportatifs dans des atmosphères explosives, comme par exemple en présence de gaz, de poussières ou de liquides inflammables.** Les outils électroportatifs produisent des étincelles qui risquent d'enflammer les poussières ou les vapeurs.

**Éloignez les enfants et les visiteurs quand vous vous servez d'un outil électroportatif.** Vous risquez une perte de contrôle si on vous distrait.

### Sécurité électrique

**Les fiches des outils électroportatifs doivent correspondre à la prise. Il ne faut absolument jamais modifier la fiche. N'utilisez pas d'adaptateur de prise avec des outils électroportatifs munis d'une fiche de terre.** Le risque de choc électrique est moindre si on utilise une fiche non modifiée sur une prise qui lui correspond.

**Évitez tout contact du corps avec des surfaces reliées à la terre tels que tuyaux, radiateurs, gazinières ou**

**réfrigérateurs.** Le risque de choc électrique augmente si votre corps est relié à la terre.

**N'exposez pas les outils électroportatifs à la pluie ou à l'humidité.** Si de l'eau pénètre dans un outil électroportatif, le risque de choc électrique augmente.

**Ne maltraitez pas le cordon. Ne vous en servez jamais pour transporter l'outil électroportatif, pour le tirer ou pour le débrancher. Éloignez le cordon de la chaleur, des huiles, des arêtes coupantes ou des pièces mobiles.** Les cordons abîmés ou emmêlés augmentent les risques de choc électrique.

**Si vous utilisez un outil électroportatif à l'extérieur, employez une rallonge conçue pour l'extérieur.** Ces rallonges sont faites pour l'extérieur et réduisent le risque de choc électrique.

**S'il est absolument nécessaire d'utiliser l'outil électroportatif dans un endroit humide, utilisez une alimentation protégée par un disjoncteur de fuite de terre (GFCI).** L'utilisation d'un disjoncteur GFCI réduit les risques de choc électrique.

### Sécurité personnelle

**Restez concentré, faites attention à ce que vous faites, et servez-vous de votre bon sens lorsque vous**

**utilisez un outil électroportatif. N'employez pas d'outils électroportatifs quand vous êtes fatigué ou sous l'emprise de drogues, d'alcool ou de médicaments.** Quand on utilise des outils électroportatifs, il suffit d'un moment d'inattention pour causer des blessures corporelles graves.

**Utilisez des équipements de sécurité personnelle. Portez toujours une protection oculaire.** Le port d'équipements de sécurité tels que des masques antipoussières, des chaussures de sécurité antidérapantes, des casques de chantier et des protecteurs d'oreilles dans des conditions appropriées réduira le risque de blessure corporelle.

**Évitez les démarrages intempestifs. Assurez-vous que l'interrupteur est dans la position arrêt (Off) avant de brancher l'outil dans une prise de courant et/ou un bloc-piles, de le ramasser ou de le transporter.** Le transport d'un outil électroportatif avec le doigt sur la gâchette ou le branchement de cet outil quand l'interrupteur est en position de marche (ON) est une invite aux accidents.

**Enlevez toutes les clés de réglage avant de mettre l'outil électroportatif en marche.** Si on laisse une clé sur une pièce tournante de l'outil électroportatif, il y a risque de blessure corporelle.

**Ne vous penchez pas. Conservez toujours une bonne assise et un bon équilibre.** Ceci vous permettra de mieux maîtriser l'outil électroportatif dans des situations inattendues.

**Habilitez-vous de manière appropriée. Ne portez pas de vêtements amples ou de bijoux. Attachez les cheveux longs. N'approchez pas les cheveux, les vêtements ou les gants des pièces en mouvement.** Les vêtements amples, les bijoux ou les cheveux longs risquent d'être happés par les pièces en mouvement.

**Si l'outil est muni de dispositifs permettant le raccordement d'un système d'aspiration et de collecte des poussières, assurez-vous que ces dispositifs sont raccordés et utilisés correctement.** L'utilisation d'un dépoussiéreur peut réduire les dangers associés à l'accumulation de poussière.

**Ne laissez pas la familiarité résultant de l'utilisation fréquente des outils vous inciter à devenir complaisant(e) et à ignorer les principes de sécurité des outils.** Une action négligente pourrait causer des blessures graves en une fraction de seconde.

### **Utilisation et entretien des outils électroportatifs**

**Ne forcez pas sur l'outil électroportatif. Utilisez l'outil électroportatif qui convient à la tâche à effectuer.** L'outil qui convient à la tâche fait un meilleur

travail et est plus sûr à la vitesse pour lequel il a été conçu.

**Ne vous servez pas de l'outil électroportatif si son interrupteur ne parvient pas à le mettre en marche ou à l'arrêter.** Tout outil électroportatif qui ne peut pas être commandé par son interrupteur est dangereux et doit être réparé.

**Débranchez la fiche de la prise secteur et/ou retirez le bloc-piles de l'outil électrique (s'il est amovible) avant d'y apporter de quelconques modifications, de changer d'accessoire ou de ranger l'outil électrique.** De telles mesures de sécurité préventive réduisent le risque de démarrage intempestif de l'outil électroportatif.

**Rangez les outils électroportatifs dont vous ne vous servez pas hors de portée des enfants et ne permettez pas à des personnes qui ne connaissent pas l'outil électroportatif ou qui ignorent ces consignes de s'en servir.** Les outils électroportatifs sont dangereux dans les mains d'utilisateurs inexpérimentés.

**Entretenez de façon appropriée les outils électriques et les accessoires. Vérifiez que les pièces mobiles sont alignées correctement et ne coïncent pas. Vérifiez qu'il n'y a pas de pièces cassées ou d'autre circonstance qui risquent d'affecter le fonctionnement de l'outil électroportatif. Si l'outil est abîmé, faites-le réparer avant de l'utiliser.** De nombreux accidents sont causés par des outils électroportatifs mal entretenus.

**Maintenez les outils coupants affûtés et propres.** Les outils coupants entretenus correctement et dotés de bords tranchants affûtés sont moins susceptibles de coincer et sont plus faciles à maîtriser.

**Utilisez l'outil électroportatif, les accessoires et les embouts d'outil, etc. conformément à ces instructions, en tenant compte des conditions de travail et des travaux à réaliser.** L'emploi d'outils électroportatifs pour des tâches différentes de celles pour lesquelles ils ont été prévus peut résulter en une situation dangereuse.

**Gardez les poignées et les surfaces de préhension propres, sèches et exemptes de toute trace d'huile ou de graisse.** Les poignées et les surfaces de préhension glissantes ne permettent pas une manipulation et un contrôle sûrs de l'outil dans des situations inattendues.

### **Entretien**

**Faites réparer votre outil électroportatif par un agent de service qualifié n'utilisant que des pièces de rechange identiques.** Ceci assure que la sécurité de l'outil électroportatif est préservée.

## Consignes de sécurité de la ponceuse à orbite aléatoire

**Débranchez la ponceuse avant de changer les accessoires.** Une mise en marche accidentelle peut survenir si la ponceuse est branchée pendant le changement d'un accessoire.

**Utilisez des brides ou d'autres moyens pratiques de brider ou de supporter la pièce sur une plate-forme stable.** Tenir la pièce à la main ou contre le corps est instable et risque de résulter en une perte de contrôle.

**Si votre outil est équipé d'un sac à poussière, videz-le souvent et au terme du ponçage.** Procédez extrêmement soigneusement dans l'évacuation de la poussière, les matières sous forme de particules fines peuvent être explosives. Ne jetez pas le bran de scie sur des flammes nues. Une combustion spontanée peut parfois résulter d'un mélange d'huile ou d'eau avec des particules de poussière.

**Portez toujours des lunettes de protection et un appareil de protection respiratoire pour les applications poussiéreuses et lors du ponçage au-dessus de la tête.** Des particules de ponçage peuvent être absorbées par vos yeux et inhalées facilement et peuvent causer des problèmes de santé.

**Utilisez des précautions spéciales en ponçant le bois d'oeuvre traité chimiquement par pression, la peinture pouvant contenir du plomb, ou tout autre matériau qui peut contenir des agents cancérigènes.**

Toutes les personnes pénétrant dans la zone de travail doivent porter un respirateur et des vêtements protecteurs adéquats. L'aire de travail doit être scellée par des feuilles en plastique, et les personnes non protégées doivent être maintenues à l'extérieur jusqu'à ce que l'aire de travail soit dûment nettoyée.

**Ne poncez pas par voie humide à l'aide de cette ponceuse.** La pénétration de liquides dans le carter du moteur constitue un risque de secousses électriques.

**N'utilisez pas du papier de verre destiné à des blocs de ponçage plus gros.** Le papier de verre de dimensions plus grandes fera saillie au-delà du bloc de ponçage entraînant ainsi des accrocs, un déchirement du papier ou un rebond. Le papier supplémentaire faisant saillie au-delà du bloc de ponçage peut également causer des lacérations graves.

## Avertissements supplémentaires concernant la sécurité

L'emploi d'un GFCI et de dispositifs de protection personnelle tels que gants et chaussures d'électricien en caoutchouc améliorent votre sécurité personnelle.

**N'utilisez pas un outil conçu uniquement pour le C.A. sur une alimentation en C.C.** Même si l'outil semble fonctionner, les composants électriques d'un outil prévu pour le C.A. tomberont probablement en panne et risquent de créer un danger pour l'utilisateur.

**Créez un agenda d'entretien périodique pour votre outil. Quand vous nettoyez un outil, faites attention de n'en démonter aucune pièce car il est toujours possible de mal remonter ou de pincer les fils internes ou de remonter incorrectement les ressorts de rappel des capots de protection.** Certains agents de nettoyage tels que l'essence, le tétrachlorure de carbone, l'ammoniaque, etc. risquent d'abîmer les plastiques.

**Veillez à ce que l'interrupteur soit dans la position de fermeture avant d'insérer le bloc-piles.** L'insertion d'un bloc-piles dans un outil électroportatif dont l'interrupteur est dans la position de marche est une invite aux accidents.












**⚠ AVERTISSEMENT** Les travaux à la machine tel que ponçage, sciage, meulage, perçage et autres travaux du bâtiment peuvent créer des poussières contenant des produits chimiques qui sont des causes reconnues de cancer, de malformation congénitale ou d'autres problèmes reproductifs. Ces produits chimiques sont, par exemple :

- Le plomb provenant des peintures à base de plomb,
- Les cristaux de silices provenant des briques et du ciment et d'autres produits de maçonnerie, et
- L'arsenic et le chrome provenant des bois traités chimiquement.

Le niveau de risque dû à cette exposition varie avec la fréquence de ces types de travaux. Pour réduire l'exposition à ces produits chimiques, il faut travailler dans un lieu bien ventilé et porter un équipement de sécurité approprié tel que certains masques à poussière conçus spécialement pour filtrer les particules microscopiques.

## Symboles

**IMPORTANT:** Certains des symboles suivants peuvent être utilisés sur votre outil. Veuillez les étudier et apprendre leur signification. Une interprétation appropriée de ces symboles vous permettra d'utiliser l'outil de façon plus efficace et plus sûre.

Symbol	Name	Designation/Explanation
V	Volts	Tension (potentielle)
A	Ampères	Courant
Hz	Hertz	Fréquence (cycles par seconde)
W	Watt	Puissance
kg	Kilogrammes	Poids
min	Minutes	Temps
s	Secondes	Temps
∅	Diamètre	Taille des mèches de perceuse, meules, etc.
$n_0$	Vitesse à vide	Vitesse de rotation, à vide
n	Vitesse nominale	Vitesse maximum pouvant être atteinte
.../min	Tours ou mouvement alternatif par minute	Tours, coups, vitesse en surface, orbites, etc., par minute
0	Position d'arrêt	Vitesse zéro, couple zéro ...
1, 2, 3, ... I, II, III,	Réglages du sélecteur	Réglages de vitesse, de couple ou de position. Un nombre plus élevé signifie une vitesse plus grande
	Sélecteur variable à l'infini avec arrêt	La vitesse augmente depuis le réglage 0
	Flèche	Action dans la direction de la flèche
	Courant alternatif	Type ou caractéristique du courant
	Courant continu	Type ou caractéristique du courant
	Courant alternatif ou continu	Type ou caractéristique du courant
	Construction classe II	Désigne des outils construits avec double isolation
	Borne de terre	Borne de mise à la terre
	Sceau Li-ion RBRC	Désigne le programme de recyclage des piles Li-ion.
	Sceau Ni-Cad RBRC	Désigne le programme de recyclage des piles Ni-Cad.
	Symbole de lecture du mode d'emploi	Alerte l'utilisateur pour lire le mode d'emploi
	Symbole de port de lunettes de sécurité	Alerte l'utilisateur pour porter des lunettes de sécurité



## Symboles (suite)

**IMPORTANT:** Certains des symboles suivants peuvent être utilisés sur votre outil. Veuillez les étudier et apprendre leur signification. Une interprétation appropriée de ces symboles vous permettra d'utiliser l'outil de façon plus efficace et plus sûre.



Ce symbole signifie que cet outil est approuvé par Underwriters Laboratories.



Ce symbole indique que ce composant est reconnu par Underwriters Laboratories.



Ce symbole signifie que cet outil est approuvé par Underwriters Laboratories selon les normes des États-Unis et du Canada.



Ce symbole signifie que cet outil est approuvé par l'Association canadienne de normalisation.



Ce symbole signifie que cet outil est approuvé par l'Association canadienne de normalisation selon les normes des États-Unis et du Canada.



Ce symbole signifie que cet outil est approuvé par Intertek Testing Services selon les normes des États-Unis et du Canada.



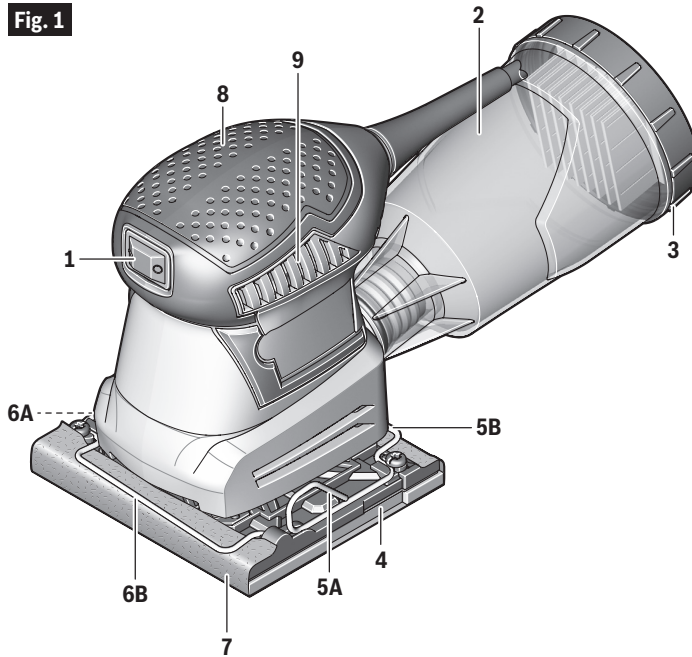
Ce symbole signifie que cet outil se conforme aux normes mexicaines NOM.

## Description fonctionnelle et spécifications

**⚠ AVERTISSEMENT** Débranchez la fiche de la prise de courant avant d'effectuer quelque assemblage ou réglage que ce soit ou de changer les accessoires. Ces mesures de sécurité préventive réduisent le risque d'une mise en marche accidentelle de l'outil.

### Ponceuse orbitale

Fig. 1



- |                                       |                              |
|---------------------------------------|------------------------------|
| 1 Interrupteur étanche à la poussière | 6A Levier de fixation avant  |
| 2 Réservoir à poussière               | 6B Support de fixation avant |
| 3 Microfiltre                         | 7 Feuille de ponçage         |
| 4 Patin de ponçage                    | 8 Aire de préhension souple  |
| 5A Levier de fixation arrière         | 9 Ouvertures de ventilation  |
| 5B Support de fixation arrière        |                              |

Numéro de modèle

**GSS20-40**

Cotes du patin :

114 x 105 mm (4 1/2 po x 4 1/8 po) (1/4 feuille)

Feuille de ponçage ordinaire :

114 x 114 mm (4 1/2 po x 4 1/2 po)

Feuille de ponçage autoadhésive :

114 x 114 mm (4 1/2 po x 4 1/2 po)

**REMARQUE :** Pour spécifications de l'outil, reportez-vous à la plaque signalétique de votre outil.

## Assemblage

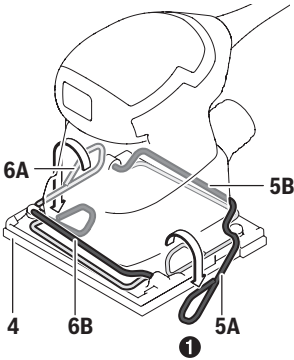
**⚠ AVERTISSEMENT** Il faut toujours débrancher la prise avant de fixer ou d'enlever une feuille abrasive.

### ATTACHEMENT DES FEUILLES DE PONÇAGE

Lorsque vous attachez une nouvelle feuille de ponçage, retirez toute la poussière et les débris éventuels du patin de ponçage **4** (p. ex., avec une brosse).

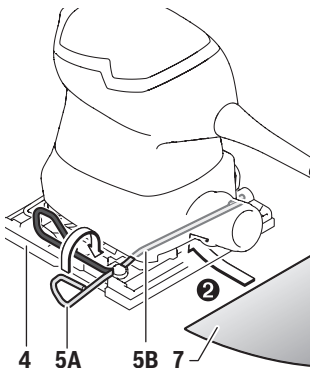
1. Déverrouillez les deux leviers de fixation de la feuille de ponçage **5A** et **6A**, et faites-les pivoter vers le bas (Fig. 2).

Fig. 2



2. Insérez la feuille de ponçage **7** sous le support de fixation arrière **5B**. Assurez-vous que la feuille de ponçage **7** n'est pas trop courte pour être attachée correctement au moyen des supports de fixation **5A** et **5B**. Faites pivoter à nouveau le levier de fixation de la feuille de ponçage **5A** dans sa position de départ et verrouillez-le dans cette position (Fig. 3).

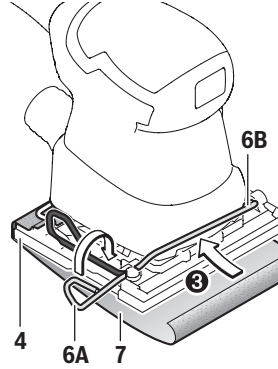
Fig. 3



3. Placez la feuille de ponçage de façon qu'elle soit bien tendue tout autour du patin de ponçage **4**. Attachez la partie avant de la feuille de ponçage en dessous du support de fixation avant **6B**. Assurez-vous que la feuille de ponçage **7** n'est pas trop courte et

qu'elle est attachée correctement. Faites pivoter à nouveau le levier de fixation de la feuille de ponçage **6A** dans sa position de départ et verrouillez-le dans cette position (Fig. 4).

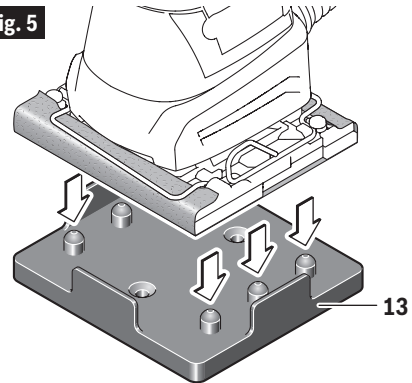
Fig. 4



### PLAQUE DE PERFORATION

Après avoir terminé l'installation de la feuille de ponçage, vous devrez percer des trous dans la feuille en utilisant la plaque de perforation fournie avec votre ponceuse. Alignez la base de la ponceuse sur la plaque de perforation, et appuyez sur la ponceuse jusqu'à ce que la plaque de perforation ait percé la feuille. Puis retirez la plaque de perforation de la ponceuse (Fig. 5)

Fig. 5



Pour assurer une extraction optimum de la poussière, vérifiez que les trous perforés dans la feuille de ponçage correspondent aux trous de la plaque de ponçage.

### RETRAIT DES FEUILLES DE PONÇAGE

Pour retirer la feuille de ponçage **7**, déverrouillez les deux leviers de fixation de la feuille de ponçage **5A** et **6A**, et tirez sur la feuille de ponçage pour la faire sortir du porte-feuille de ponçage.

## ATTACHEMENT DES FEUILLES DE PONÇAGE AUTOADHÉSIVES

Votre ponceuse peut également être utilisée avec des feuilles de ponçages de type autoadhésif (papier de verre), qui sont munies d'une couche de matériau adhésif sensible à la pression.

1. Pelez la pellicule de protection du dos de la feuille adhésive sensible à la pression.
2. Alignez la feuille autoadhésive sur la plaque de contact et appuyez fermement pour qu'elle adhère correctement.

### Remarques :

- Assurez-vous que les leviers de fixation sont bien verrouillés, même quand des feuilles de ponçage autoadhésives sont utilisées.

- Retirez les feuilles autoadhésives peu après avoir terminé chaque opération de ponçage afin d'éviter que l'adhésif n'attache de façon irréversible à la plaque de contact.

## RETRAIT DES FEUILLES DE PONÇAGE AUTOADHÉSIVES

**MISE EN GARDE** Une tentative de retrait d'une feuille de ponçage auto-adhésive froide du tampon endommagera probablement le tampon de soutien.

Si du papier auto-adhésif est laissé accidentellement sur le tampon, poncez pendant quelques minutes pour assouplir le côté auto-adhésif, puis soulevez un bord des feuilles auto-adhésives avec votre ongle, et pelez ensuite pour détacher du tampon de soutien.

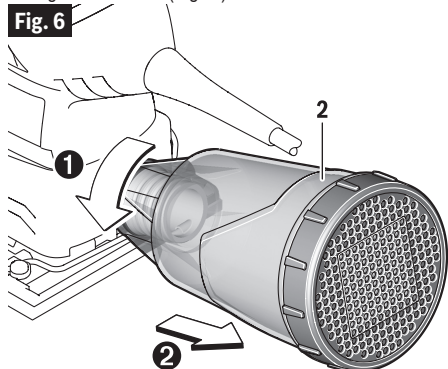
## Ramassage de la poussière

**RÉSERVOIR À POUSSIÈRE MICRO FILTRANT** – Le système de ramassage de poussière intégré stocke la poussière dans le réservoir fourni avec votre ponceuse. Pour en maximiser le rendement, il convient de vider le réservoir fréquemment pendant le ponçage.

**AVERTISSEMENT** Votre outil est muni d'un réservoir à poussière, videz-le fréquemment, après avoir fini de poncer et avant de ranger la ponceuse. Soyez très prudents quand vous jetez la poussière. Les matériaux sous forme de fines particules peuvent être explosifs. Ne jetez pas la poussière sur une flamme nue. Il y a risque de combustion de vernis, laques, polyuréthane, huile ou eau mélangés avec des particules de poussière en présence d'une décharge électrostatique, d'une étincelle introduite dans la boîte ou de chaleur excessive. Ne mélangez pas de poussière recueillie avec de la peinture ou du vernis, et ne l'utilisez pas pour absorber ou sécher des produits chimiques à l'état liquide.

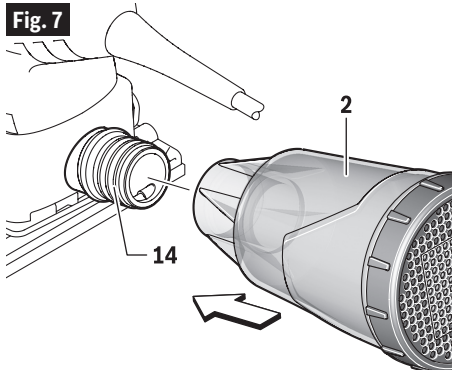
## RETRAIT ET INSTALLATION DU RÉSERVOIR À POUSSIÈRE

Pour retirer le réservoir à poussière : faites tourner le réservoir à poussière **2** tout en tirant dessus pour l'éloigner de l'outil (Fig. 6).



20

Pour installer le réservoir à poussière : alignez l'orifice de dépoussiérage **14** sur le trou dans le réservoir **2** et appuyez sur le réservoir pour l'enfoncer dans l'outil jusqu'à ce qu'il se verrouille en place (Fig. 7).



## NETTOYAGE ET VIDAGE DU RÉSERVOIR À POUSSIÈRE

Comme le réservoir à poussière est transparent, vous pouvez facilement voir quand il est nécessaire de le vider et de le nettoyer.

Pour vider le réservoir à poussière : dévissez le micro-filtre **3** et détachez-le du réservoir à poussière **2** (Fig. 8).

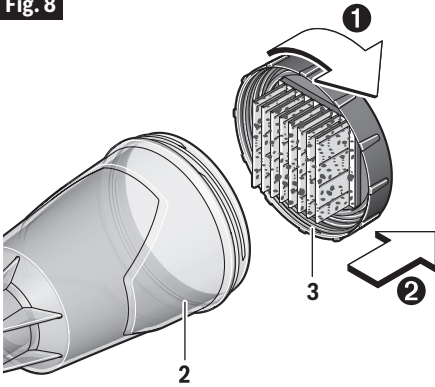
Videz le réservoir à poussière **2**. Il est recommandé de faire tomber la poussière du microfiltre **3** en le tapotant doucement contre une surface solide (Fig. 9).

Vous éliminerez ainsi le plus gros de la poussière se trouvant sur le microfiltre. Ou retirez-la poussière avec vos doigts ou avec une brosse douce.

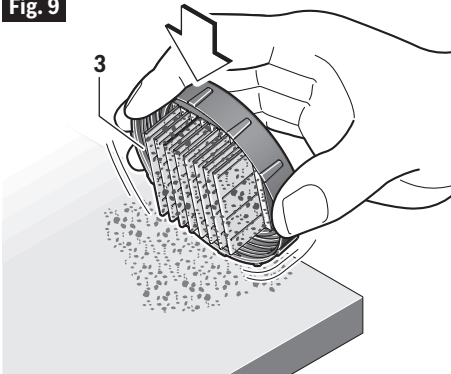
Vous constaterez peut-être qu'il reste malgré tout de la poussière dans le réservoir. Ceci n'affectera pas la performance de la ponceuse, mais la collecte de poussière sera rendue moins efficace.

**REMARQUE** : Ne lavez pas le micro filtre à l'eau et

**Fig. 8**



**Fig. 9**



au savon car la poussière risque de se loger plus fermement dans les pores, ce qui réduit le ramassage de poussière et abîme le micro filtre.

Pour assurer une extraction optimale de poussière, videz le réservoir et nettoyez le réservoir et le microfiltre plus souvent.

#### ATTACHEMENT D'UN ASPIRATEUR

La recolección de polvo también se puede lograr conectando la herramienta a una aspiradora / un extrac-

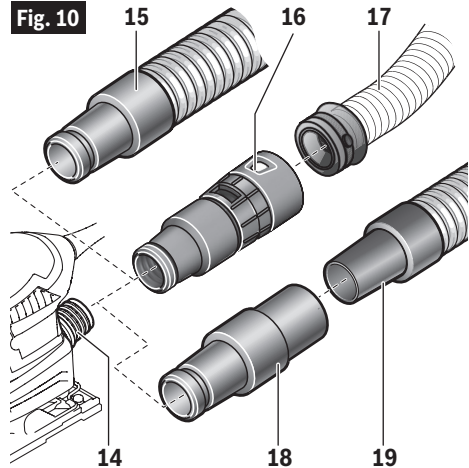
tor de polvo, una manguera y un adaptador, si es necesario (todos vendidos por separado).

1. Conecte la manguera a la aspiradora / al extractor de polvo.
2. Conecte la manguera al orificio para polvo de la herramienta **14** de una de las siguientes maneras (Fig. 10):
  - Mangueras Bosch serie **17**: Se requiere el adaptador de manguera VX120 **16** (incluido con las mangueras serie VH).
  - Otras mangueras de 35 y 22 mm **15**, tales como las mangueras Bosch serie VAC: Conecte la manguera directamente a la herramienta.
  - Mangueras comunes de 1-1/4 o 1-1/2 pulgadas **19**: Se requiere el adaptador Bosch VAC024 **18**.

Lorsque vous aspirez de la poussière sèche qui est particulièrement toxique pour la santé ou peut même être cancérigène, utilisez un aspirateur conçu spécifiquement pour une telle application.

Lorsque vous poncez des surfaces verticales, tenez l'outil électrique de telle façon que le tuyau de l'aspirateur soit orienté vers le bas.

**Fig. 10**



## Consignes de fonctionnement

### INTERRUPTEUR MARCHE-ARRÊT À BASCULEUR

**POUR DÉMARRER OU ARRÊTER L'OUTIL :** Enfoncez le basculeur de l'interrupteur vers la gauche ou vers la droite de l'outil. Écartez toujours la ponceuse de la pièce de travail quand vous la mettez en marche ou que vous l'arrêtez.

Voir DÉBUT DU PONÇAGE à la page 22.

### FEUILLES DE PONÇAGE (PAPIER DE VERRE)

L'oxyde d'aluminium, le carbure de silicium ou d'autres abrasifs synthétiques sont recommandés

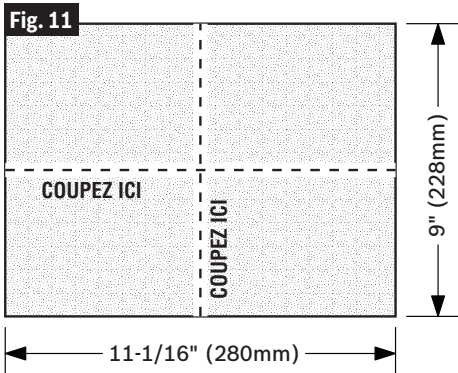
pour utilisation dans le cadre d'une application de ponçage électrique. Les abrasifs naturels, comme le silex ou le grenat, sont trop doux pour pouvoir être utilisés économiquement dans des applications de ponçage électrique. Pour obtenir les meilleurs résultats possibles, utilisez des feuilles de ponçage Bosch : L'espacement uniforme entre les grains minimise le remplissage ou le chargement. La feuille en oxyde d'aluminium de qualité élevée avec un dossier robuste permet de couper plus vite et dure plus longtemps.

Voici les recommandations pour les feuilles de ponçage en fonction des applications :

	Applications	Grain
Bois	Pour le ponçage préliminaire de bois non dégrossi, des planches non rabotées.	grossie 40, 60
	Pour le ponçage intermédiaire et le lissage des petites irrégularités.	moyen 80, 100, 120
	Pour le ponçage de finition à la vitesse de ponçage fin et pour les feuilles abrasives (papier de verre).	fin 180, 240, 320, 400
Peinture/émaux et apprêts et agglomérés	Pour le décapage de peinture.	grossie 40, 60
	Pour poncer des apprêts.	moyen 80, 100, 120
	Pour le ponçage final des apprêts entre deux couches.	fin 180, 240, 320

Les feuilles de ponçage peuvent être achetées dans les tailles désirées, ou elles peuvent être coupées facilement dans de grandes feuilles disponibles dans le commerce (taille standard : 9 po x 11 1/16 po, ou 228 x 280 mm). Coupez en quatre morceaux de dimensions égales, comme illustré (Fig. 11). Choisissez le grain approprié pour l'application.

### DÉBUT DU PONÇAGE



Après avoir sécurisé l'ouvrage, placez le tampon de ponçage sur la surface de travail, puis mettez l'outil en marche.

NE mettez PAS l'outil en marche et ne le faites pas fonctionner à sa vitesse standard avant de l'avoir mis en contact avec l'ouvrage.

N'appliquez PAS une pression excessive lorsque vous mettez l'outil en marche (ou à tout autre moment).

Dans les deux cas, ceci créerait probablement des marques causées par le tourbillonnement.

L'application d'une pression excessive au moment de

22

la mise en marche raccourcira également la durée de vie de l'interrupteur.

### CONSEILS DE PONÇAGE

Les ponceuses orbitales Bosch sont conçues pour produire des finis exceptionnels sur les surfaces en bois, pour enlever de la matière rapidement ou pour décapager la laque, le vernis ou autres enduits de finition.

Le ponçage orbital produit rapidement un fini régulier. De plus, ce modèle peut poncer à ras sur 3 côtés de l'outil, ce qui permet de poncer dans des recoins comme on en trouve fréquemment dans les placards, les bureaux ou les étagères.

- La distribution uniforme du poids de la ponceuse et la prévention des glissements de des feuilles de ponçage par le système de fixation éliminent pratiquement tout l'avantage résultant de l'exercice de pression sur la ponceuse. Si vous appuyez trop fort sur la ponceuse, le ponçage risque d'être irrégulier et le papier de s'user prématurément. Une pression excessive constante peut provoquer une surchauffe qui peut éventuellement abîmer le moteur ainsi qu'user prématurément le patin.
- Normalement, il est préférable de déplacer la ponceuse dans le sens du fil, avec un léger mouvement latéral pour que les coups principaux se recouvrent jusqu'à 75%.
- Si la surface est rugueuse, commencez le ponçage avec un gros grain, puis un grain moyen et enfin, finissez avec un grain fin ou ultra-fin. Cette méthode dépend du matériau et du type de travail à effectuer.
- Avec chaque grosseur de grain, poncez jusqu'à ce que la surface apparaisse régulière.
- Quand vous passez d'un grain donné à un grain plus fin, ne sautez pas plus de deux tailles de grains.
- Pour enlever le maximum de matière, utilisez un gros grain et déplacez la ponceuse sans vous arrêter sur toute la surface de la pièce dans le sens du fil ainsi que dans le sens opposé. **NE RESTEZ PAS TROP LONGTEMPS AU MÊME ENDROIT** car vous risquez d'enlever trop de matière, ce qui pourrait produire un ponçage inégal.
- Poncer dans le sens du fil produit la meilleure finition possible.

### RETRAIT DE LA PONCEUSE

Retirez la ponceuse de l'ouvrage avant de couper l'interrupteur (OFF). L'utilisation de l'outil de cette manière prolongera la durée de vie de l'interrupteur et du moteur, et elle améliorera considérablement la qualité de votre travail.

### RANGEMENT DE LA PONCEUSE

Ne rangez pas l'outil en laissant des feuilles de ponçage autoadhésives sur le patin, car le ponçage crée de la chaleur, ce qui fait attacher le liant adhésif entre la feuille et le patin, entraînant ainsi son durcissement lorsque la feuille et le patin refroidissent. (Voir RETRAIT DES FEUILLES DE PONÇAGE AUTOADHÉSIVES, à la page 20.)

## Entretien

### SERVICE

**⚠ AVERTISSEMENT** IL N'EXISTE À L'INTÉRIEUR AUCUNE PIÈCE SUSCEPTIBLE D'ÊTRE ENTRETENUE PAR L'UTILISATEUR. L'entretien préventif exécuté par des personnes non autorisés peut entraîner un positionnement erroné des composants et des fils internes, ce qui peut présenter de graves dangers. Nous recommandons de confier toute intervention d'entretien sur l'outil à un centre de service-usine Bosch ou à un centre de service après-vente Bosch agréé. **TECHNICIENS** : Débranchez l'outil et/ou le chargeur de la source de courant avant d'entretenir.

### LUBRIFICATION DE L'OUTIL

Votre outil Bosch a été lubrifié correctement en usine et il est prêt à l'utilisation. Nous vous conseillons de re-graisser les outils qui comportent des engrenages avec un lubrifiant à engrenages spécial à chaque fois que vous changez les balais.

### BALAIS OU CHARBONS

Les balais (ou charbons) et le collecteur de votre outil ont été conçus pour apporter de nombreuses heures de fonctionnement fiable. Pour maintenir le rendement du moteur à son maximum, nous vous conseillons de

contrôler les balais tous les deux à six mois. Il ne faut utiliser que des balais de rechange Bosch d'origine et conçus pour votre outil.

### PALIER

Si les paliers commencent à faire du bruit (à cause de surcharges importantes ou du toupillage de matériaux très abrasifs) il faut les faire remplacer immédiatement pour éviter la surchauffe ou une panne de moteur.

### NETTOYAGE

**⚠ AVERTISSEMENT** Pour éviter les accidents, débranchez toujours l'outil et/ou le chargeur de la source de courant avant de nettoyer.

Gardez les prises d'air et les interrupteurs propres et libres de débris. N'essayez pas de les nettoyer en introduisant des objets pointus dans leurs ouvertures.

**⚠ MISE EN GARDE** Certains agents de nettoyages et certains dissolvants abîment les pièces en plastique. Parmi ceux-ci se trouvent : l'essence, le tétrachlorure de carbone, les dissolvants de nettoyage chlorés, l'ammoniaque ainsi que les détergents domestiques qui en contiennent.

## Cordons de rallonge

**⚠ AVERTISSEMENT** Si un cordon de rallonge s'avère nécessaire, vous devez utiliser un cordon avec conducteurs de dimension adéquate pouvant porter le courant nécessaire à votre outil. Ceci préviendra une chute excessive de tension, une perte de courant ou une surchauffe. Les outils mis à la terre doivent utiliser des cordons de rallonge trifilaires pourvus de fiches à trois broches ainsi que des prises à trois broches.

**REMARQUE** : Plus le calibre est petit, plus le fil est gros.

### DIMENSIONS DE RALLONGES RECOMMANDÉES OUTILS 120 VOLTS COURANT ALTERNATIF





Intensité nominale de l'outil	Calibre A.W.G.				Calibre en mm <sup>2</sup>			
	Longueur en pieds				Longueur en mètres			
	25	50	100	150	15	30	60	120
3-6	18	16	16	14	0.75	0.75	1.5	2.5
6-8	18	16	14	12	0.75	1.0	2.5	4.0
8-10	18	16	14	12	0.75	1.0	2.5	4.0
10-12	16	16	14	12	1.0	2.5	4.0	—
12-16	14	12	—	—	—	—	—	—

## Accessoires et compléments

Éléments inclus	Disponibles séparément
Réservoir à poussière Feuille de ponçage Plaque de perforation pour papier de verre	Adaptateur de tuyau d'aspirateur VAC024 Tuyaux d'aspirateur

## Símbolos de seguridad

Las definiciones que aparecen a continuación describen el nivel de gravedad de cada palabra de señal de seguridad. Por favor, lea el manual y preste atención a estos símbolos.

	Éste es el símbolo de alerta de seguridad. Se utiliza para alertarle a usted de posibles peligros de lesiones corporales. Obedezca todos los mensajes de seguridad que sigan a este símbolo para evitar posibles lesiones o muerte.
	PELIGRO indica una situación peligrosa que, si no se evita, causará la muerte o lesiones graves.
	ADVERTENCIA indica una situación peligrosa que, si no se evita, podría causar la muerte o lesiones graves.
	PRECAUCIÓN indica una situación peligrosa que, si no se evita, podría causar lesiones leves o moderadas.

## Advertencias generales de seguridad para herramientas mecánicas

**ADVERTENCIA** Lea todas las advertencias de seguridad, instrucciones, ilustraciones y especificaciones suministradas con esta herramienta eléctrica. Si no se siguen todas las instrucciones que se indican a continuación, es posible que el resultado sea descargas eléctricas, incendio y/o lesiones graves.

### GUARDE TODAS LAS ADVERTENCIAS E INSTRUCCIONES PARA REFERENCIA FUTURA

a expresión "herramienta mecánica" en las advertencias se refiere a su herramienta mecánica alimentada por la red eléctrica (herramienta alámbrica) o su herramienta mecánica alimentada por baterías (herramienta inalámbrica).

### Seguridad del área de trabajo

**Mantenga el área de trabajo limpia y bien iluminada.** Las áreas desordenadas u oscuras invitan a que se produzcan accidentes.

**No utilice herramientas mecánicas en atmósferas explosivas, como por ejemplo en presencia de líquidos, gases o polvos inflamables.** Las herramientas mecánicas generan chispas que pueden incendiar el polvo o los vapores.

**Mantenga alejados a los niños y a las personas que estén presentes mientras esté utilizando una herramienta mecánica.** Las distracciones pueden hacerle perder el control de la herramienta.

### Seguridad eléctrica

**Los enchufes de las herramientas mecánicas deben coincidir con el tomacorriente. No modifique nunca el enchufe de ningún modo. No use enchufes adaptadores con herramientas mecánicas conectadas a tierra (puestas a tierra).** Los enchufes no modificados y los tomacorrientes coincidentes reducirán el riesgo de sacudidas eléctricas.

**Evite el contacto del cuerpo con las superficies conectadas o puestas a tierra, tales como tuberías, radiadores, estufas y refrigeradores.** Hay un aumento del riesgo de sacudidas eléctricas si el cuerpo del operador se conecta o pone a tierra.

**No exponga las herramientas mecánicas a la lluvia**

**o a condiciones mojadas.** La entrada de agua en una herramienta mecánica aumentará el riesgo de que se produzcan sacudidas eléctricas.

**No maltrate el cordón de energía. No use nunca el cordón para transportar la herramienta mecánica, tirar de ella o desenchufarla. Mantenga el cordón alejado del calor, el aceite, los bordes afilados o las piezas móviles.** Los cordones dañados o enganchados aumentan el riesgo de que se produzcan sacudidas eléctricas.

**Cuando utilice una herramienta mecánica en el exterior, use un cordón de extensión adecuado para uso a la intemperie.** La utilización de un cordón adecuado para uso a la intemperie reduce el riesgo de que se produzcan sacudidas eléctricas.

**Si es inevitable utilizar una herramienta mecánica en un lugar húmedo, utilice una fuente de energía protegida por un interruptor de circuito accionado por corriente de pérdida a tierra (GFCI).** El uso de un GFCI reduce el riesgo de sacudidas eléctricas.

### Seguridad personal

**Manténgase alerta, fíjese en lo que está haciendo y use el sentido común cuando esté utilizando una herramienta mecánica. No use una herramienta mecánica cuando esté cansado o bajo la influencia de drogas, alcohol o medicamentos.** Un momento de distracción mientras esté utilizando herramientas



mecánicas podría causar lesiones corporales graves.

**Use equipo de protección personal. Use siempre protección de los ojos.** El equipo de protección, como por ejemplo una máscara antipolvo, calzado de seguridad antideslizante, casco o protección de oídos, utilizado para las condiciones apropiadas, reducirá las lesiones corporales.

**Evite el arranque accidental. Asegúrese de que el interruptor esté en la posición de apagado antes de conectar la herramienta a la fuente de energía y / o al paquete de batería, levantar la herramienta o transportarla.** Transportar herramientas mecánicas con un dedo en el interruptor o encender herramientas mecánicas que tengan el interruptor en la posición de encendido invita a que se produzcan accidentes.

**Quite todas las llaves de ajuste o de tuerca antes de encender la herramienta mecánica.** Una llave de tuerca o de ajuste que se deje colocada en una pieza giratoria de la herramienta mecánica podría causar lesiones corporales.

**No intente alcanzar demasiado lejos. Mantenga un apoyo de los pies y un equilibrio apropiados en todo momento.** Esto permite controlar mejor la herramienta mecánica en situaciones inesperadas.

**Vístase adecuadamente. No use ropa holgada ni alhajas holgadas. Mantenga el pelo, la ropa y los guantes alejados de las piezas móviles.** La ropa holgada, las alhajas holgadas o el pelo largo pueden quedar atrapados en las piezas móviles.

**Si se proporcionan dispositivos para la conexión de instalaciones de extracción y recolección de polvo, asegúrese de que dichas instalaciones estén conectadas y se usen correctamente.** El uso de dispositivos de recolección de polvo puede reducir los peligros relacionados con el polvo.

**No deje que la familiaridad obtenida con el uso frecuente de las herramientas le haga volverse complaciente e ignorar los principios de seguridad de las herramientas.** Una acción descuidada puede causar lesiones graves en una fracción de segundo.

### **Uso y cuidado de las herramientas mecánicas**

**No fuerce la herramienta mecánica. Use la herramienta mecánica correcta para la aplicación que desee realizar.** La herramienta mecánica correcta hará el trabajo mejor y con más seguridad a la capacidad nominal para la que fue diseñada.

**No use la herramienta mecánica si el interruptor no**

**la enciende y apaga.** Toda herramienta mecánica que no se pueda controlar con el interruptor es peligrosa y debe ser reparada.

**Desconecte el enchufe de la fuente de alimentación y/o retire el paquete de batería de la herramienta eléctrica, si es extraíble, antes de hacer cualquier ajuste, cambiar accesorios o almacenar herramientas eléctricas.** Dichas medidas preventivas de seguridad reducen el riesgo de arrancar accidentalmente la herramienta mecánica.

**Guarde las herramientas que no esté usando fuera del alcance de los niños y no deje que personas que no estén familiarizadas con la herramienta mecánica o con estas instrucciones utilicen la herramienta.** Las herramientas mecánicas son peligrosas en manos de usuarios que no hayan recibido capacitación.

**Mantenga las herramientas eléctricas y sus accesorios. Compruebe si hay piezas móviles desalineadas o que se atoran, si hay piezas rotas y si existe cualquier otra situación que podría afectar el funcionamiento de la herramienta mecánica. Si la herramienta mecánica está dañada, haga que la reparen antes de usarla.** Muchos accidentes son causados por herramientas mecánicas mantenidas deficientemente.

**Mantenga las herramientas de corte afiladas y limpias.** Es menos probable que las herramientas de corte mantenidas apropiadamente, con bordes de corte afilados, se atoren, y dichas herramientas son más fáciles de controlar.

**Utilice la herramienta mecánica, los accesorios, las brocas de la herramienta, etc., de acuerdo con estas instrucciones, teniendo en cuenta las condiciones de trabajo y el trabajo que se vaya a realizar.** El uso de la herramienta mecánica para operaciones distintas a aquéllas para las que fue diseñada podría causar una situación peligrosa.

**Mantenga secos, limpios y libres de aceite y grasa los mangos y las superficies de agarre.** Si están resbalosos, los mangos y las superficies de agarre no permiten un manejo y un control seguros de la herramienta en situaciones inesperadas.

### **Servicio de ajustes y reparaciones**

**Haga que su herramienta mecánica reciba servicio de un técnico de reparaciones calificado, utilizando únicamente piezas de repuesto idénticas.** Esto asegurará que se mantenga la seguridad de la herramienta mecánica.

## Normas de seguridad para lijadoras orbitales

**Desenchufe la lijadora antes de cambiar accesorios.** Se pueden producir arranques accidentales si la lijadora está enchufada mientras se cambia un accesorio.

**Use abrazaderas u otro modo práctico de sujetar y soportar la pieza de trabajo en una plataforma estable.** Si se sujeta la pieza de trabajo con la mano o contra el cuerpo, se crea una situación inestable que podría causar pérdida de control.

**Su herramienta está equipada con un recipiente para polvo. Vacíelo frecuentemente, después de completar el lijado y antes de guardar la lijadora.** Sea sumamente cuidadoso al eliminar el polvo, ya que los materiales en forma de partículas finas pueden ser explosivos. No tire el polvo resultante del lijado a un fuego al descubierto. Se puede producir combustión de la mezcla de barnices, lacas, poliuretano, aceite o agua con partículas de polvo si hay una descarga de electricidad estática, si se introduce una chispa en la caja o si hay calor excesivo.

**Use siempre protección de los ojos y protección respiratoria para realizar aplicaciones que generen polvo y cuando lije en lugares elevados por encima de la cabeza.** Todas las personas que entren en el área de

trabajo deben usar un aparato de respiración adecuado y ropa protectora. El área de trabajo debe cerrarse con cubiertas colgantes de plástico y debe mantenerse fuera a las personas no protegidas hasta que el área de trabajo haya sido limpiada a fondo.

**Use precauciones especiales al lijar madera tratada químicamente a presión, pintura que pueda estar basada en plomo o cualquier otro material que pueda contener carcinógenos.** Todas las personas que entren en el área de trabajo deben usar un aparato de respiración adecuado y ropa protectora. El área de trabajo debe cerrarse con cubiertas colgantes de plástico y debe mantenerse fuera a las personas no protegidas hasta que el área de trabajo haya sido limpiada a fondo.

**No lije en mojado con esta lijadora.** La entrada de líquidos en la caja del motor constituye un peligro de sacudidas eléctricas.

**No use papel de lija diseñado para zapatas de lijar más grandes.** El papel de lija más grande sobresaldrá de la zapata de lijar, causando atasco y rasgado del papel o retroceso. El papel extra que sobresalga de la zapata de lijar también puede causar laceraciones graves.

## Advertencias de seguridad adicionales

Un GFCI y los dispositivos de protección personal, como guantes de goma y calzado de goma de eléctrica, mejorarán más su seguridad personal.

**No use herramientas mecánicas con capacidad nominal solamente para CA con una fuente de energía de CC.** Aunque pueda parecer que la herramienta funciona correctamente, es probable que los componentes eléctricos de la herramienta con capacidad nominal para CA fallen y creen un peligro para el operador.

**Desarrolle un programa de mantenimiento periódico de la herramienta. Cuando limpie una herramienta, tenga cuidado de no desmontar ninguna de sus partes, ya que los cables internos podrían reubicarse incorrectamente o pellizcarse, o los resortes de retorno de los protectores de seguridad podrían montarse incorrectamente.** Ciertos agentes de limpieza, tales como gasolina, tetracloruro de carbono, amoníaco, etc., podrían dañar las piezas de plástico.

**Asegúrese de que el interruptor esté en la posición de apagado antes de introducir el paquete de batería.** Si se introduce el paquete de batería en herramientas mecánicas que tengan el interruptor en la posición de encendido, se invita a que se produzcan accidentes.



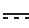
**⚠ ADVERTENCIA** Cierta polvo generado por el lijado, aserrado, amolado y taladrado mecánicos, y por otras actividades de construcción, contiene agentes químicos que se sabe que causan cáncer, defectos de nacimiento u otros daños sobre la reproducción. Algunos ejemplos de estos agentes químicos son:

- Plomo de pinturas a base de plomo,
- Sílice cristalina de ladrillos y cemento y otros productos de mampostería, y
- Arsénico y cromo de madera tratada químicamente.

Su riesgo por causa de estas exposiciones varía, dependiendo de con cuánta frecuencia realice este tipo de trabajo. Para reducir su exposición a estos agentes químicos: trabaje en un área bien ventilada y trabaje con equipo de seguridad aprobado, como por ejemplo máscaras antipolvo que estén diseñadas especialmente para impedir mediante filtración el paso de partículas microscópicas.

## Símbolos

**IMPORTANTE:** Es posible que algunos de los símbolos siguientes se usen en su herramienta. Por favor, estúdielos y aprenda su significado. La interpretación adecuada de estos símbolos le permitirá utilizar la herramienta mejor y con más seguridad.

Símbolo	Nombre	Designación/explicación
V	Volt	Tensión (potencial)
A	Ampere	Corriente
Hz	Hertz	Frecuencia (ciclos por segundo)
W	Watt	Potencia
kg	Kilogramo	Peso
min	Minuto	Tiempo
s	Segundo	Tiempo
∅	Diámetro	Tamaño de las brocas taladradoras, muelas, etc
$n_0$	Velocidad sin carga	Velocidad rotacional sin carga
n	Velocidad nominal	Máxima velocidad obtenible
.../min	Revoluciones o alternación por minuto	Revoluciones, golpes, velocidad de superficie, órbitas, etc., por minuto
0	Posición "off" (apagado)	Velocidad cero, par motor cero...
1, 2, 3, ... I, II, III,	Graduaciones del selector	Graduaciones de velocidad, par motor o posición. Un número más alto significa mayor velocidad
	Selector infinitamente variable con apagado	La velocidad aumenta desde la graduación de 0
	Flecha	Acción en la dirección de la flecha
	Corriente alterna	Tipo o una característica de corriente
	Corriente continua	Tipo o una característica de corriente
	Corriente alterna o continua	Tipo o una característica de corriente
	Construcción de clase II	Designa las herramientas de construcción con aislamiento doble.
	Terminal de toma de tierra	Terminal de conexión a tierra
	Sello RBRC de Li-ion	Designa el programa de reciclaje de baterías de Li-ion
	Sello RBRC de Ni-Cd	Designa el programa de reciclaje de baterías de Ni-Cd
	Símbolo de lectura del manual	Alerta al usuario para que lea el manual
	Símbolo de uso de protección de los ojos	Alerta al usuario para que use protección de los ojos

## Símbolos (continuación)

**IMPORTANTE:** Es posible que algunos de los símbolos siguientes se usen en su herramienta. Por favor, estúdielos y aprenda su significado. La interpretación adecuada de estos símbolos le permitirá utilizar la herramienta mejor y con más seguridad.



Este símbolo indica que esta herramienta está catalogada por Underwriters Laboratories.



Este símbolo indica que este componente está reconocido por Underwriters Laboratories.



Este símbolo indica que Underwriters Laboratories ha catalogado esta herramienta indicando que cumple con las normas estadounidenses y canadienses.



Este símbolo indica que esta herramienta está catalogada por la Canadian Standards Association.



Este símbolo indica que la Canadian Standards Association ha catalogado esta herramienta indicando que cumple con las normas estadounidenses y canadienses.



Este símbolo indica que Intertek Testing Services ha catalogado esta herramienta indicando que cumple con las normas estadounidenses y canadienses.



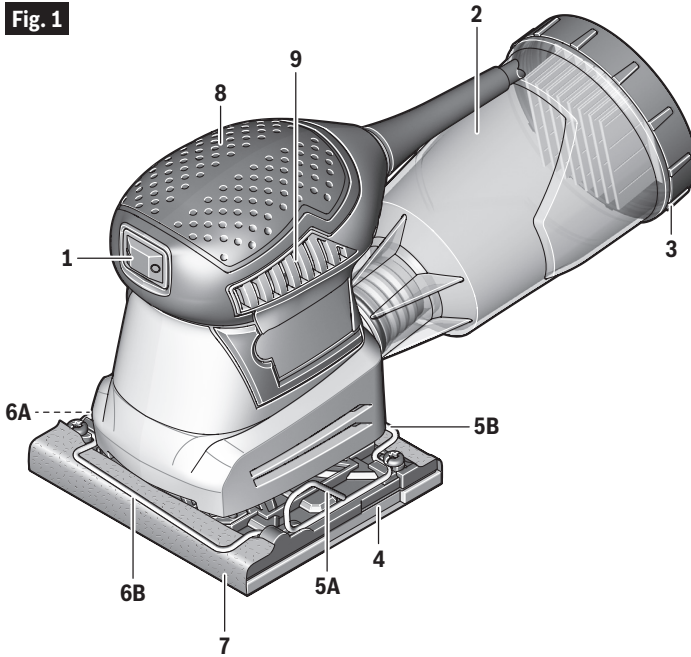
Este símbolo indica que esta herramienta cumple con la norma mexicana oficial (NOM).

## Descripción funcional y especificaciones

**⚠ ADVERTENCIA** Desconecte el enchufe de la fuente de energía antes de hacer cualquier ensamblaje o ajuste, o cambiar accesorios. Dichas medidas preventivas de seguridad reducen el riesgo de arrancar accidentalmente la herramienta.

### Lijadora orbital

Fig. 1



- |    |                                  |    |                                    |
|----|----------------------------------|----|------------------------------------|
| 1  | Interruptor hermético al polvo   | 6A | Palanca de la abrazadera delantera |
| 2  | Recipiente para polvo            | 6B | Soporte de fijación delantero      |
| 3  | Microfiltro                      | 7  | Hoja de lijador                    |
| 4  | Almohadilla de lijador           | 8  | Área de agarre blando              |
| 5A | Palanca de la abrazadera trasera | 9  | Aberturas de ventilación           |
| 5B | Soporte de fijación trasero      |    |                                    |

Número de modelo

**GSS20-40**

Tamaño de la zapata

4 1/2" x 4 1/8" (1/4 de hoja)

Hoja de lijador normal:

4 1/2" x 5 1/2"

Hoja de lijador de PSA (adhesiva):

4 1/2" x 4 1/2"

**NOTA:** Para obtener las especificaciones de la herramienta, consulte la placa del fabricante colocada en la herramienta.

## Ensamblaje

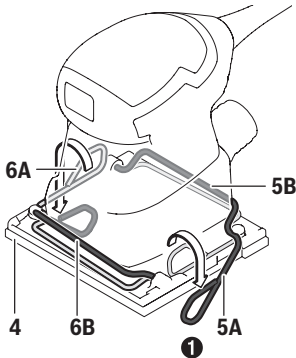
**⚠ ADVERTENCIA** Desconecte siempre el enchufe de la fuente de energía antes de colocar o quitar las hojas abrasivas.

### INSTALACIÓN DE LAS HOJAS DE LIJAR

Cuando instale una hoja de lijar nueva, retire todo el polvo o todos los residuos de la almohadilla de lijar **4** (p. ej., con un cepillo).

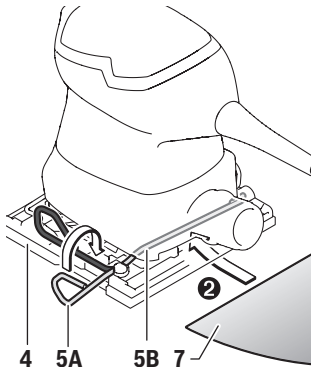
1. Desbloquee las dos palancas de las abrazaderas de la hoja de lijar **5A** y **6A** y gírelas hacia abajo (Fig. 2).

Fig. 2



2. Inserte la hoja de lijar **7** debajo del soporte de fijación trasero **5B**. Asegúrese de que la hoja de lijar **7** no sea demasiado corta para sujetarla correctamente con los soportes de fijación **5A** y **5B**. Gire la palanca de la abrazadera de la hoja de lijar **5A** de vuelta a la posición inicial y bloquéela ahí (Fig. 3).

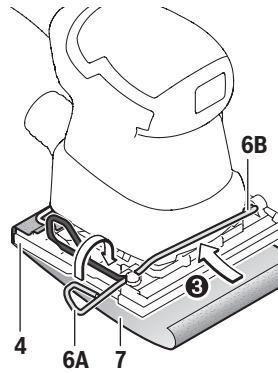
Fig. 3



3. Coloque la hoja de lijar de manera que esté tensa alrededor de la almohadilla de lijar **4**. Fije con abrazaderas la parte delantera de la hoja de lijar debajo del soporte de fijación delantero **6B**. Asegúrese de que la hoja de lijar **7** no sea demasiado corta y que

esté sujeta correctamente con las abrazaderas. Gire la palanca de la abrazadera de la hoja de lijar **6A** de vuelta hasta la posición de inicio y bloquéela ahí (Fig. 4).

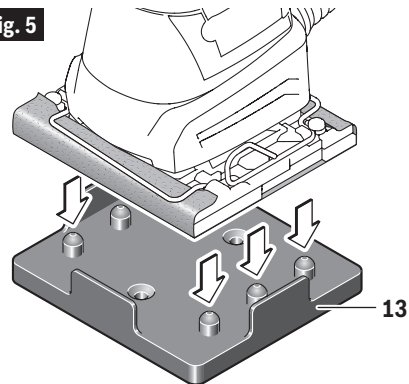
Fig. 4



### PLACA PERFORADORA

Después de haber instalado la hoja de lijar, será necesario perforar agujeros en ella utilizando la placa perforadora suministrada con la lijadora. Alinee la base de la lijadora con la placa perforadora y empuje hacia abajo sobre la lijadora hasta que la placa perforadora agujeree la hoja. Luego, retire la placa perforadora de la lijadora (Fig. 5).

Fig. 5



Para asegurar una extracción de polvo óptima, preste atención a que los agujeros perforados en la hoja de lijar coincidan con los agujeros ubicados en la placa de lijar.

### REMOCIÓN DE LAS HOJAS DE LIJAR

Para retirar la hoja de lijar **7**, desbloquee las dos palancas de las abrazaderas de la hoja de lijar **5A** y **6A** y jale la hoja de lijar hacia fuera hasta sacarla de su soporte.

## INSTALACIÓN DE LAS HOJAS DE LIJAR DE PSA "ADHESIVAS"

La lijadora también se puede utilizar con hojas de lijar (papel de lija) "adhesivas" con refuerzo de PSA, que tienen adhesivo sensible a la presión.

1. Despegue la hoja protectora de la parte trasera de la hoja de PSA.
2. Alinee la hoja de PSA con la almohadilla de refuerzo y presione firmemente hasta ubicarla en la posición correcta.

### Notas:

- Asegúrese de que las palancas de las abrazaderas estén trabadas, incluso cuando se utilicen hojas de lijar de PSA.

- Retire las hojas de PSA poco después de completar cada operación de lijado, para impedir que el adhesivo cree una unión endurecida con la almohadilla de refuerzo.

## REMOCIÓN DE LAS HOJAS DE LIJAR DE PSA

**⚠ PRECAUCIÓN** Un intento de retirar una hoja de lijar de PSA fría probablemente dañará la almohadilla de refuerzo.

Si se deja papel de PSA accidentalmente en la almohadilla, lije durante unos minutos para ablandar el refuerzo adhesivo y luego levante un borde de las hojas de PSA con la uña y despréndalo de la almohadilla de refuerzo.

## Recolección de polvo

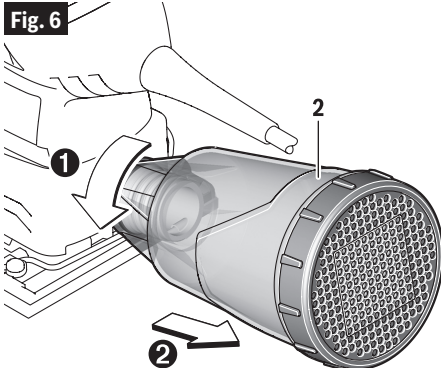
**BOTE PARA POLVO CON MICROFILTRO:** El sistema de extracción de polvo integral recolecta el polvo generado por el lijado en el bote provisto con la lijadora. Para lograr la máxima eficacia, el bote para polvo se debe vaciar frecuentemente durante la operación.

**⚠ ADVERTENCIA** La herramienta está equipada con un bote para polvo. Vacíelo frecuentemente, después de completar la operación de lijado y antes de almacenar la lijadora. Tenga sumo cuidado al deshacerse del polvo, ya que los materiales en forma de partículas finas pueden ser explosivos. No tire el polvo generado por el lijado a llamas al descubierto. Se puede producir combustión de la mezcla de barnices, lacas, poliuretano, aceite o agua con partículas de polvo si hay una descarga de electricidad estática, si se introduce una chispa en la caja o si hay calor excesivo. No mezcle el polvo recolectado con pintura o barniz, ni lo utilice para absorber o secar productos químicos secos.

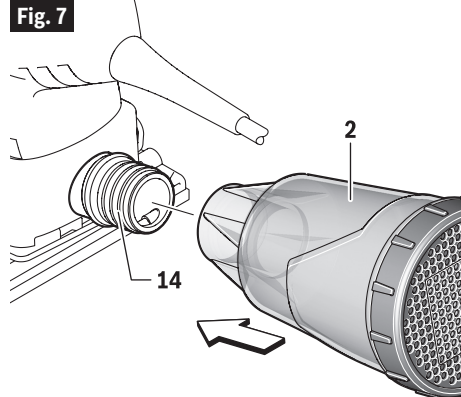
### REMOCIÓN E INSTALACIÓN DEL RECIPIENTE PARA POLVO

Para retirar el recipiente para polvo: rote el recipiente para polvo **2** a la vez que lo jala alejándolo de la herramienta (Fig. 6).

Para instalar el recipiente para polvo: alinee el orificio para polvo **14** con el agujero ubicado en el recipiente **2**



y empuje dicho recipiente sobre la herramienta hasta que quede fijo en la posición correcta (Fig. 7).



### LIMPIEZA Y VACIADO DEL RECIPIENTE PARA POLVO

El recipiente para polvo es transparente, lo cual le permite a usted ver fácilmente cuando es necesario vaciarlo y limpiarlo.

Para vaciar el recipiente para polvo: desenrosque y retire el microfiltro **3** del recipiente para polvo **2** (Fig. 8).

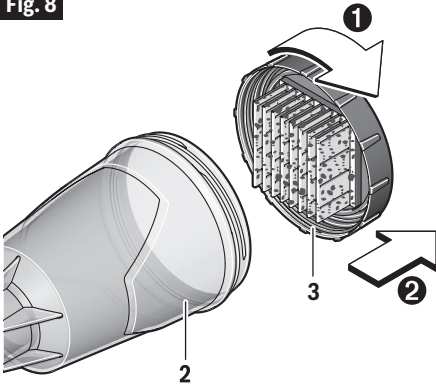
Vacíe el recipiente para polvo **2**. Se recomienda aflojar el polvo de microfiltro **3** golpeándolo suavemente contra una superficie sólida (Fig. 9).

Dé golpes hasta sacar el exceso de polvo del microfiltro o retire el polvo con los dedos o con un cepillo blando.

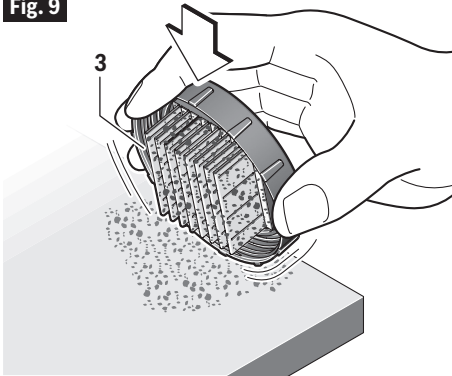
Es posible que note que no todo el polvo sale del recipiente. Esto no afectará al rendimiento de lijado, pero reducirá la eficiencia de la recolección de polvo.

**NOTA:** No lave el microfiltro con agua y jabón. El polvo se podría incrustar más firmemente en los poros, lo cual reducirá la recolección de polvo y dañará el microfiltro.

**Fig. 8**



**Fig. 9**



Para asegurar que la extracción de polvo sea óptima, vacíe y limpie frecuentemente el recipiente y el micro-filtro.

### CONEXIÓN DE UNA ASPIRADORA

La recolección de polvo también se puede lograr conectando la herramienta a una aspiradora / un extractor de polvo, una manguera y un adaptador, si es necesario (todos vendidos por separado).

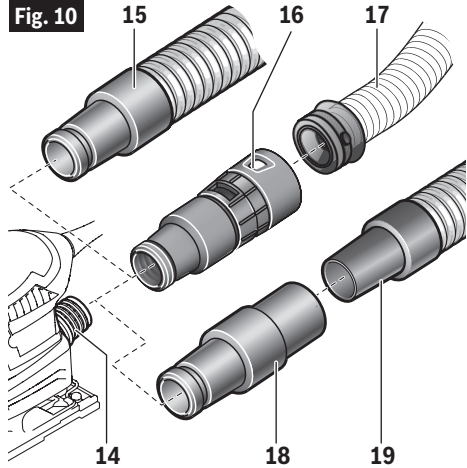
1. Conecte la manguera a la aspiradora / al extractor de polvo.
2. Conecte la manguera al orificio para polvo de la herramienta **14** de una de las siguientes maneras (Fig. 10):

- Mangueras Bosch serie **17**: Se requiere el adaptador de manguera VX120 **16** (incluido con las mangueras serie VH).
- Otras mangueras de 35 y 22 mm **15**, tales como las mangueras Bosch serie VAC: Conecte la manguera directamente a la herramienta.
- Mangueras comunes de 1-1/4 o 1-1/2 pulgadas **19**: Se requiere el adaptador Bosch VAC024 **18**.

Cuando aspire polvo seco que sea especialmente perjudicial para la salud o que pueda ser cancerígeno, utilice una aspiradora que esté diseñada específicamente para ese propósito.

Cuando lije en superficies verticales, sostenga la herramienta eléctrica de manera que la manguera de aspiradora esté orientada hacia abajo.

**Fig. 10**



## Instrucciones de funcionamiento

### INTERRUPTOR OSCILANTE DE ENCENDIDO Y APAGADO

**PARA ENCENDER O APAGAR LA HERRAMIENTA:** Empuje hacia ADETRON el interruptor oscilante, hacia el lado izquierdo o derecho de la herramienta. Sostenga siempre la lijadora alejada de la pieza de trabajo cuando ponga el interruptor en la posición de encendido o apagado.

Consulte COMIENZO DEL LIJADO en la página 33.

### HOJAS DE LIJAR (PAPEL DE LIJA)

El óxido de aluminio, el carburo de silicio u otros abra-

sivos sintéticos se recomiendan para usarlos cuando se utiliza una lijadora eléctrica. Los abrasivos naturales, tales como la hoja de pedernal o de granate, son demasiado blandos para permitir un uso económico cuando se utiliza una lijadora eléctrica. Para obtener los mejores resultados, utilice hojas de lijar Bosch: La separación uniforme entre los granos minimiza el llenado o la carga. La hoja de óxido de aluminio de alta calidad con refuerzo pesado corta más rápidamente y dura más tiempo.

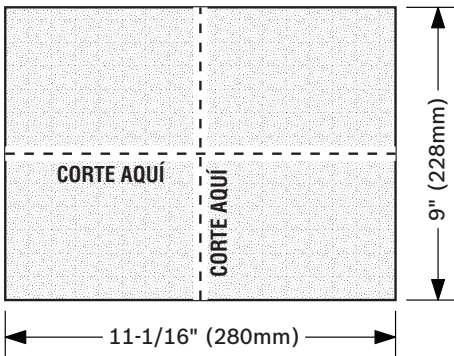
Se recomiendan las siguientes hojas de lijar y aplicaciones:



	Aplicaciones	Grano
Madera	Para realizar lijado preliminar de tableros no acepillados de madera basta.	grueso 40, 60
	Para realizar lijado y alisado de etapa intermedia de irregularidades pequeñas.	mediano 80, 100, 120
	Para velocidad de acabado y lijado fijo y para hoja de lijar (papel de lija).	fino 180, 240, 320, 400
Pintura/esmaltes e imprimadores y materiales de relleno	Para retirar pintura.	grueso 40, 60
	Para lijar imprimador.	mediano 80, 100, 120
	Para realizar lijado final de imprimadores entre capas.	fino 180, 240, 320

Las hojas de lijar se pueden comprar predimensionadas o se pueden cortar convenientemente a partir de hojas de tamaño más grande disponibles comercialmente (tamaño estándar: 9 x 11-1/16 pulgadas o 228 x 280 mm). Córteles en cuatro pedazos de igual tamaño de la manera que se muestra en la ilustración (Fig. 11). Escoja el grano apropiado para el trabajo que vaya a realizar.

**Fig. 11**



### COMIENZO DEL LIJADO

Con la pieza de trabajo firmemente sujeta, coloque primero la almohadilla de la lijadora sobre la superficie de trabajo y luego encienda la herramienta.

NO ponga en marcha la herramienta y deje que alcance su velocidad máxima antes de aplicarla a la pieza de trabajo

NO aplique una presión excesiva cuando encienda la herramienta (ni en ningún otro momento)

Es probable que cualquiera de los dos métodos genere marcas de remolino.

La aplicación de una presión excesiva al poner en marcha la herramienta también acortará la vida útil del interruptor.

### CONSEJOS DE LIJADO

Las lijadoras orbitales Bosch están diseñadas para producir acabados excepcionales en superficies de madera, quitar material rápidamente o quitar laca, barniz y otros acabados recubiertos.

El lijado orbital proporciona acabados finales rápidos y lisos. Y este modelo puede lijar al ras en los tres lados de la herramienta para llegar a lugares estrechos típicos de armarios, escritorios y estantes.

- La distribución uniforme del peso de esta aspiradora y la prevención del resbalamiento de la hoja de lijar por el sistema de fijación eliminan prácticamente cualquier ventaja de presionar sobre la lijadora. La presión excesiva sobre la lijadora puede producir un trabajo de lijado desigual y un desgaste prematuro del grano. Una presión constante y excesiva puede causar recalentamiento y posibles daños al motor, así como desgaste prematuro de la zapata.
- Generalmente, lo mejor es trabajar en pasadas paralelas a la fibra, usando un poco de movimiento lateral para que las pasadas principales se superpongan tanto como en un 75%.
- Si la superficie es rugosa, empiece a lijar con un grano grueso, use luego un grano mediano y acabe con un grano fino o extrafino. Este procedimiento variará con diferentes tipos de materiales y trabajo.
- Continúe lijando con cada grano hasta que la superficie tenga un aspecto uniforme.
- Cuando pase de un tamaño de grano a un tamaño más fino, no salte más de dos tamaños de grano.
- Para quitar la mayor cantidad de material, use un grano grueso y mueva firmemente la lijadora sobre toda la superficie a contrafibra, así como en dirección de la fibra. NO PERMANEZCA EN UN MISMO PUNTO DEMASIADO TIEMPO. Si lo hace, podría quitar demasiado material y el resultado será un lijado desigual.
- El lijado en dirección de la fibra de la madera da el acabado final más liso.

### RETIRADA DE LA LIJADORA

Retire la lijadora de la pieza de trabajo antes de poner el interruptor en la posición de "APAGADO". Al utilizar la lijadora de esta manera se prolongará la vida útil del interruptor y del motor y se aumentará enormemente la calidad el trabajo que se realice.

### ALMACENAMIENTO DE LA LIJADORA

No almacene la herramienta con las hojas de lijar de PSA instaladas en la almohadilla, ya que el lijado crea calor, lo cual hará que una unión adhesiva entre la hoja y la almohadilla se endurezca cuando la hoja y la almohadilla se enfríen. (Consulte REMOCIÓN DE LAS HOJAS DE LIJAR DE PSA en la página 31.)

## Mantenimiento

### SERVICIO

**⚠ ADVERTENCIA** **NO HAY PIEZAS EN EL INTERIOR QUE PUEDAN SER AJUSTADAS O REPARADAS POR EL USUARIO.** El mantenimiento preventivo realizado por personal no autorizado puede dar lugar a la colocación incorrecta de cables y componentes internos que podría constituir un peligro serio. Recomendamos que todo el servicio de las herramientas sea realizado en un Centro de servicio de fábrica Bosch o en una Estación de servicio Bosch autorizada. **TECNICOS DE REPARACIONES:** Desconecten la herramienta y/o el cargador de la fuente de energía antes de realizar servicio de ajustes y reparaciones.

### LUBRICACIÓN DE LAS HERRAMIENTAS

Su herramienta Bosch ha sido lubricada adecuadamente y está lista para la utilización. Se recomienda que las herramientas con engranajes se vuelvan a engrasar con un lubricante especial para engranajes en cada cambio de escobillas.

### ESCOBILLAS DE CARBÓN

Las escobillas y el conmutador de la herramienta han sido diseñados para muchas horas de servicio fiable. Para mantener un rendimiento óptimo del motor, recomendamos que cada dos a seis meses se examinen las

escobillas. Sólo se deben usar escobillas de repuesto Bosch genuinas diseñadas específicamente para su herramienta.

### RODAMIENTOS

Los rodamientos que se vuelven ruidosos (debido a la pesada carga o al corte de materiales muy abrasivos) deben ser sustituidos inmediatamente para evitar el sobrecalentamiento o el fallo del motor.

### LIMPIEZA

**⚠ ADVERTENCIA** Para evitar accidentes, desconecte siempre la herramienta y/o el cargador de la fuente de energía antes de la limpieza.

Las aberturas de ventilación y las palancas de interruptor deben mantenerse limpias y libres de materias extrañas. No intente limpiar introduciendo objetos puntiagudos a través de las aberturas.

**⚠ PRECAUCIÓN** Ciertos agentes de limpieza y disolventes dañan las piezas de plástico. Algunos de estos son: gasolina, tetracloruro de carbono, disolventes de limpieza clorados, amoníaco y detergentes domésticos que contienen amoníaco.

## Cordones De Extensión

**⚠ ADVERTENCIA** Si es necesario un cordón de extensión, se debe usar un cordón con conductores de tamaño adecuado que sea capaz de transportar la corriente necesaria para la herramienta. Esto evitará caídas de tensión excesivas, pérdida de potencia o recalentamiento. Las herramientas conectadas a tierra deben usar cordones de extensión de 3 hilos que tengan enchufes de 3 terminales y receptáculos para 3 terminales.

**NOTA:** Cuanto más pequeño es el número de calibre, más grueso es el cordón.

### TAMAÑOS RECOMENDADOS DE CORDONES DE EXTENSION HERRAMIENTAS DE 120 V CORRIENTE ALTERNA

Capacidad nominal en amperes de la herramienta	Tamaño del cordón en A.W.G.				Tamaños del cable en mm <sup>2</sup>			
	Longitud del cordón en pies				Longitud del cordón en metros			
	25	50	100	150	15	30	60	120
3-6	18	16	16	14	0.75	0.75	1.5	2.5
6-8	18	16	14	12	0.75	1.0	2.5	4.0
8-10	18	16	14	12	0.75	1.0	2.5	4.0
10-12	16	16	14	12	1.0	2.5	4.0	—
12-16	14	12	—	—	—	—	—	—

## Accesorios y aditamentos

Artículos incluidos	Disponibles por separado
Recipiente para polvo Hoja de lijar Placa perforadora para papel de lija	Adaptador de manguera de aspiradora VAC024 Mangueras de aspiradora

**Notes / Remarques / Notas**

This page was intentionally left blank  
Cette page a été laissée vierge intentionnellement.  
Esta página se dejó intencionalmente en blanco



### LIMITED WARRANTY OF BOSCH PORTABLE AND BENCHTOP POWER TOOLS

Robert Bosch Tool Corporation ("Seller") warrants to the original purchaser only, that all BOSCH portable and benchtop power tools will be free from defects in material or workmanship for a period of one year from date of purchase. SELLER'S SOLE OBLIGATION AND YOUR EXCLUSIVE REMEDY under this Limited Warranty and, to the extent permitted by law, any warranty or condition implied by law, shall be the repair or replacement of parts, without charge, which are defective in material or workmanship and which have not been misused, carelessly handled, or misrepaired by persons other than Seller or Authorized Service Station. To make a claim under this Limited Warranty, you must return the complete portable or benchtop power tool product, transportation prepaid, to any BOSCH Factory Service Center or Authorized Service Station. For Authorized BOSCH Power Tool Service Stations, please refer to your phone directory.

THIS LIMITED WARRANTY DOES NOT APPLY TO ACCESSORY ITEMS SUCH AS CIRCULAR SAW BLADES, DRILL BITS, ROUTER BITS, JIGSAW BLADES, SANDING BELTS, GRINDING WHEELS AND OTHER RELATED ITEMS.

ANY IMPLIED WARRANTIES SHALL BE LIMITED IN DURATION TO ONE YEAR FROM DATE OF PURCHASE. SOME STATES IN THE U.S., SOME CANADIAN PROVINCES DO NOT ALLOW LIMITATIONS ON HOW LONG AN IMPLIED WARRANTY LASTS, SO THE ABOVE LIMITATION MAY NOT APPLY TO YOU.

IN NO EVENT SHALL SELLER BE LIABLE FOR ANY INCIDENTAL OR CONSEQUENTIAL DAMAGES (INCLUDING BUT NOT LIMITED TO LIABILITY FOR LOSS OF PROFITS) ARISING FROM THE SALE OR USE OF THIS PRODUCT. SOME STATES IN THE U.S. AND SOME CANADIAN PROVINCES DO NOT ALLOW THE EXCLUSION OR LIMITATION OF INCIDENTAL OR CONSEQUENTIAL DAMAGES, SO THE ABOVE LIMITATION OR EXCLUSION MAY NOT APPLY TO YOU.

THIS LIMITED WARRANTY GIVES YOU SPECIFIC LEGAL RIGHTS, AND YOU MAY ALSO HAVE OTHER RIGHTS WHICH VARY FROM STATE TO STATE IN THE U.S., PROVINCE TO PROVINCE IN CANADA AND FROM COUNTRY TO COUNTRY.

THIS LIMITED WARRANTY APPLIES ONLY TO PORTABLE AND BENCHTOP ELECTRIC TOOLS SOLD WITHIN THE UNITED STATES OF AMERICA, CANADA AND THE COMMONWEALTH OF PUERTO RICO. FOR WARRANTY COVERAGE WITHIN OTHER COUNTRIES, CONTACT YOUR LOCAL BOSCH DEALER OR IMPORTER.

### GARANTIE LIMITÉE DES OUTILS ÉLECTRIQUES PORTATIFS ET D'ÉTABLI BOSCH

Robert Bosch Tool Corporation (le « vendeur ») garantit à l'acheteur initial seulement que tous les outils électriques portatifs et d'établi BOSCH seront exempts de vices de matériaux ou d'exécution pendant une période d'un an depuis la date d'achat. LA SEULE OBLIGATION DU VENDEUR ET LE SEUL RECOURS DE L'ACHETEUR sous la présente garantie limitée, et en autant que la loi le permette sous toute garantie ou condition implicite qui en découlerait, sera l'obligation de remplacer ou réparer gratuitement les pièces défectueuses matériellement ou comme fabrication, pourvu que lesdites défectuosités ne soient pas attribuables à un usage abusif ou à quelque réparation bricolée par quelqu'un d'autre que le vendeur ou le personnel d'une station-service agréée. Pour présenter une réclamation en vertu de cette garantie limitée, vous devez renvoyer l'outil électrique portatif ou d'établi complet, port payé, à tout centre de service agréé ou centre de service usine. Veuillez consulter votre annuaire téléphonique pour les adresses.

LA PRÉSENTE GARANTIE NE S'APPLIQUE PAS AUX ACCESSOIRES TELS QUE LAMES DE SCIÉS CIRCULAIRES, MÊCHES DE PERCEUSES, FERS DE TOUPIES, LAMES DE SCIÉS SAUTEUSES, COURROIES DE PONÇAGE, MEULES ET AUTRES ARTICLES DU GENRE.

TOUTE GARANTIE IMPLICITE SERA LIMITÉE COMME DURÉE À UN AN À COMPTER DE LA DATE D'ACHAT. CERTAINS ÉTATS AMÉRICAINS, CERTAINES PROVINCES CANADIENNES N'ADMETTANT PAS LE PRINCIPE DE LA LIMITATION DE LA DURÉE DES GARANTIES IMPLICITES, IL EST POSSIBLE QUE LES LIMITATIONS CI-DESSUS NE S'APPLIQUENT PAS À VOTRE CAS.

EN AUCUN CAS LE VENDEUR NE SAURAIT ÊTRE TENU POUR RESPONSABLE DES INCIDENTS OU DOMMAGES INDIRECTS (INCLUANT, MAIS NE SE LIMITANT PAS AUX PERTES DE PROFITS) CONSÉCUTIFS À LA VENTE OU L'USAGE DE CE PRODUIT. CERTAINS ÉTATS AMÉRICAINS ET CERTAINES PROVINCES CANADIENNES N'ADMETTANT PAS LE PRINCIPE DE LA LIMITATION NI L'EXCLUSION DES DOMMAGES INDIRECTS ET CONSÉQUENTIELS, IL EST POSSIBLE QUE LES LIMITATIONS OU EXCLUSIONS CI-DESSUS NE S'APPLIQUENT PAS À VOTRE CAS.

LA PRÉSENTE GARANTIE VOUS ACCORDE DES DROITS BIEN DÉTERMINÉS, Y COMPRIS POSSIBLEMENT CERTAINS DROITS VARIABLES DANS LES DIFFÉRENTS ÉTATS AMÉRICAINS, PROVINCES CANADIENNE ET DE PAYS À PAYS.

CETTE GARANTIE LIMITÉE NE S'APPLIQUE QU'ÀUX OUTILS ÉLECTRIQUES PORTATIFS ET D'ÉTABLI VENDUS AUX ÉTATS-UNIS D'AMÉRIQUE, AU CANADA ET AU COMMONWEALTH DE PORTO RICO. POUR COUVERTURE DE GARANTIE DANS LES AUTRES PAYS, CONTACTEZ VOTRE IMPORTATEUR OU REVENDEUR BOSCH LOCAL.

### GARANTIA LIMITADA PARA HERRAMIENTAS MECANICAS PORTATILES Y PARA TABLERO DE BANCO BOSCH

Robert Bosch Tool Corporation ("el Vendedor") garantiza, únicamente al comprador original, que todas las herramientas mecánicas portátiles y para tablero de banco BOSCH estarán libres de defectos de material o de fabricación durante un periodo de un año a partir de la fecha de compra. LA ÚNICA OBLIGACION DEL VENDEDOR Y EL RECURSO EXCLUSIVO QUE USTED TIENE bajo esta Garantía Limitada y, hasta donde la ley lo permita, bajo cualquier garantía o condición implícita por ley, consistirá en la reparación o sustitución sin costo de las piezas que presenten defectos de material o de fabricación y que no hayan sido utilizadas incorrectamente, manejadas descuidadamente o reparadas incorrectamente por personas que no sean el Vendedor o una Estación de servicio autorizada. Para efectuar una reclamación bajo esta Garantía Limitada, usted debe devolver el producto, que consiste en la herramienta mecánica portátil o para tablero de banco completa, con el transporte pagado, a cualquier Centro de servicio de fábrica o Estación de servicio autorizada. Para Estaciones de servicio autorizadas de herramientas mecánicas BOSCH, por favor, consulte el directorio telefónico.

ESTA GARANTIA LIMITADA NO SE APLICA A ARTICULOS ACCESORIOS TALES COMO HOJAS PARA SIERRAS CIRCULARES, BROCAS PARA TALADROS, BROCAS PARA FRESADORAS, HOJAS PARA SIERRAS DE VAIVEN, CORREAS PARA LUJAR, RUEDAS DE AMOLAR Y OTROS ARTICULOS RELACIONADOS.

TODAS LAS GARANTIAS IMPLICITAS TENDRAN UNA DURACION LIMITADA A UN AÑO A PARTIR DE LA FECHA DE COMPRA. ALGUNOS ESTADOS DE LOS EE.UU. Y ALGUNAS PROVINCIAS CANADIENSES NO PERMITEN LIMITACIONES EN CUANTO A LA DURACION DE UNA GARANTIA IMPLICITA, POR LO QUE ES POSIBLE QUE LA LIMITACION ANTERIOR NO SEA APLICABLE EN EL CASO DE USTED.

EL VENDEDOR NO SERA RESPONSABLE EN NINGUN CASO DE NINGUN DAÑO INCIDENTAL O EMERGENTE (INCLUYENDO PERO NO LIMITADO A RESPONSABILIDAD POR PERDIDA DE BENEFICIOS) QUE SE PRODUZCA COMO CONSECUENCIA DE LA VENTA O UTILIZACION DE ESTE PRODUCTO. ALGUNOS ESTADOS DE LOS EE.UU. Y ALGUNAS PROVINCIAS CANADIENSES NO PERMITEN LA EXCLUSION O LIMITACION DE LOS DAÑOS INCIDENTALES O EMERGENTES, POR LO QUE ES POSIBLE QUE LA LIMITACION O EXCLUSION ANTERIOR NO SEA APLICABLE EN EL CASO DE USTED.

ESTA GARANTIA LIMITADA LE CONFIERE A USTED DERECHOS LEGALES ESPECIFICOS Y ES POSIBLE QUE USTED TAMBIEN TENGA OTROS DERECHOS QUE VARIAN DE ESTADO A ESTADO EN LOS EE.UU., DE PROVINCIA A PROVINCIA EN CANADA Y DE UN PAIS A OTRO.

ESTA GARANTIA LIMITADA SE APLICA SOLAMENTE A HERRAMIENTAS ELECTRICAS PORTATILES Y PARA TABLERO DE BANCO VENDIDAS EN LOS ESTADOS UNIDOS DE AMERICA, CANADA Y EL ESTADO LIBRE ASOCIADO DE PUERTO RICO. PARA COBERTURA DE GARANTIA EN OTROS PAISES, PONGASE EN CONTACTO CON SU DISTRIBUIDOR O IMPORTADOR LOCAL DE BOSCH.

© Robert Bosch Tool Corporation 1800 W. Central Road Mt. Prospect, IL 60056-2230

Exportado por: Robert Bosch Tool Corporation Mt. Prospect, IL 60056-2230, E.U.A.

Importado en México por: Robert Bosch, S.A. de C.V., Calle Robert Bosch No. 405, Zona Industrial, Toluca, Edo. de México, C.P. 50070, Tel. (722) 2792300



2610051953 08/18

